



Architectural Windows

2250i/3250i/4250i-XP INvent.PLUS™ Series

Elevations Viewed From The Exterior

Section Contents

Details	P21-2 thru P21-4
Posts and Stacks	P21-5 thru P21-11
Glazing Options	P21-12
Muntin Options	P21-13 thru P21-15
Blind Options	P21-16 and P21-17
Accessories	P21-18 thru P21-20
Isometric Views	P21-21 and P21-22

AAMA Test Configurations (shown)

Architectural AW Class

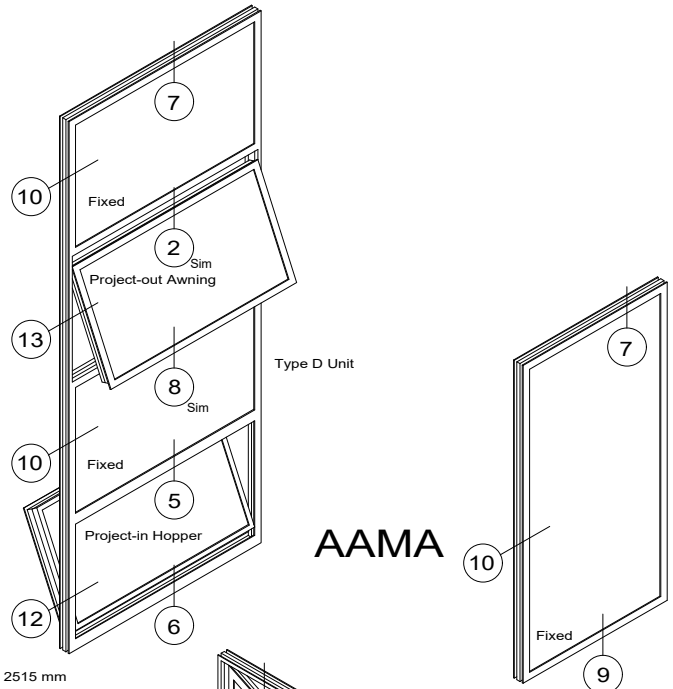
For air, water, cycling and structural

Fixed Frame Size	60" x 99"	Fixed	1524 mm x 2515 mm
Projected Frame Size	60" x 144"	Type D	1524 mm x 3658 mm
Casement Frame Size	108" x 60"	Type D	2743 mm x 1524 mm
Gateway Sizes	60" x 36"	Projected	1524 mm x 914 mm
	36" x 60"	Casement	914 mm x 1524 mm

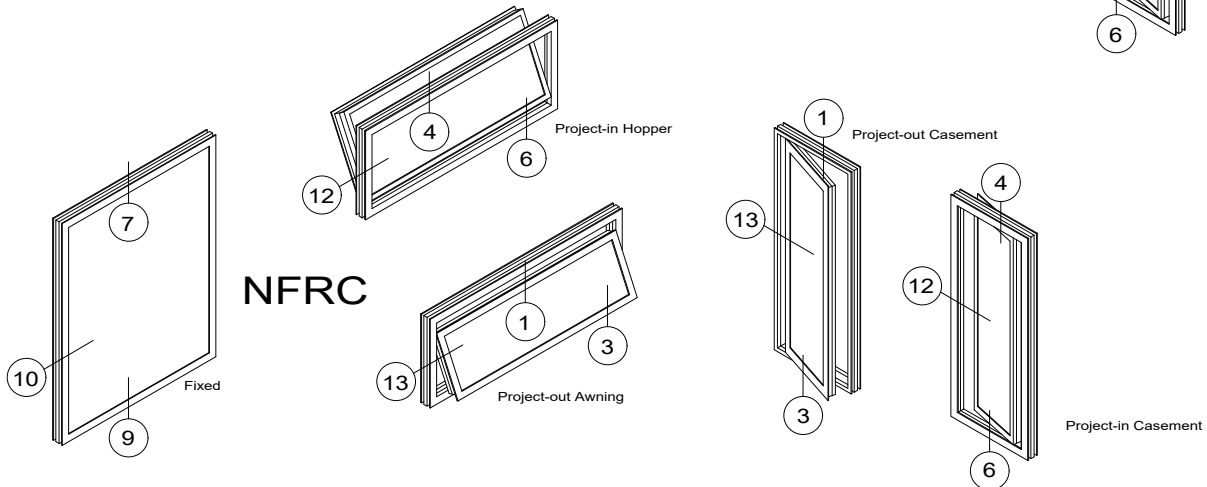
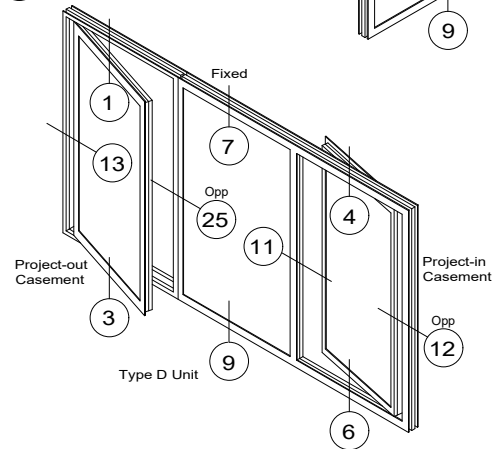
NFRC 100 Thermal Test Configurations (shown)

For U-Factor, SHGC and CR

Fixed Frame Size	47" x 59"	1200 mm x 1500 mm
Projected Frame Size	59" x 24"	1500 mm x 600 mm
Casement Frame Size	24" x 59"	600 mm x 1500 mm



AAMA



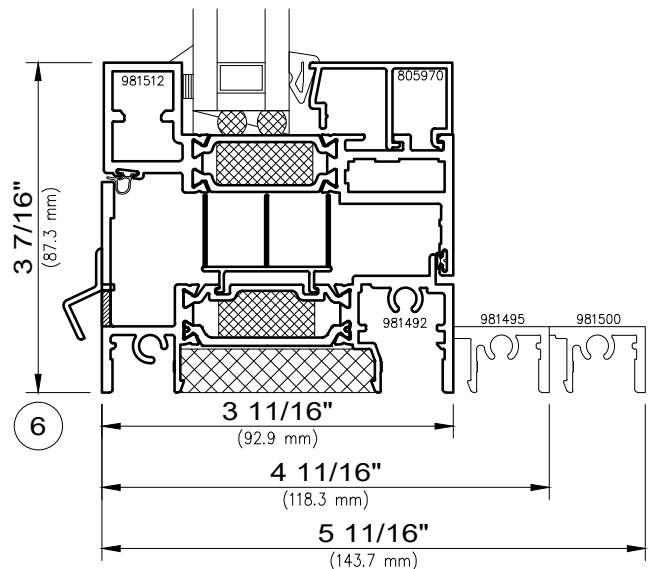
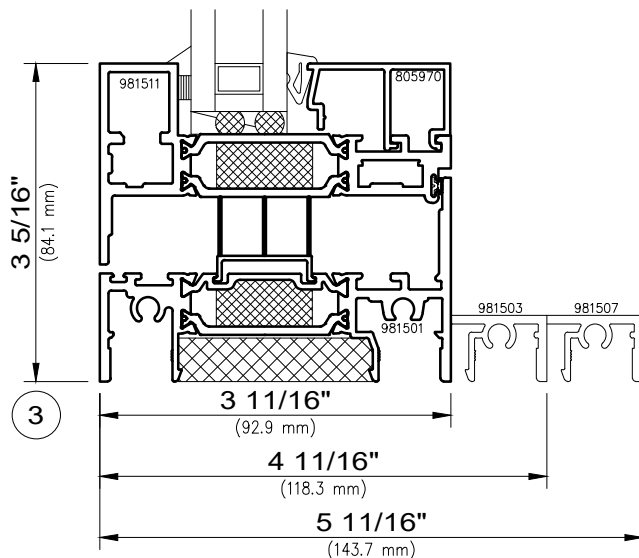
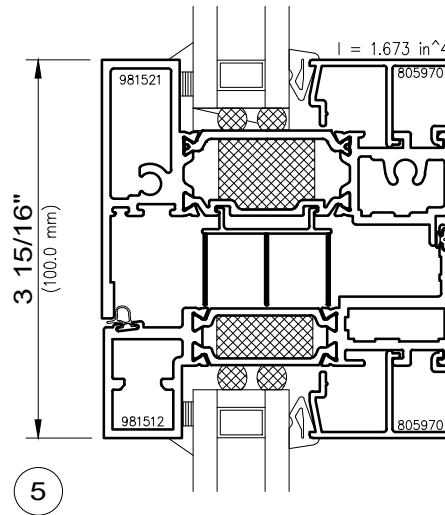
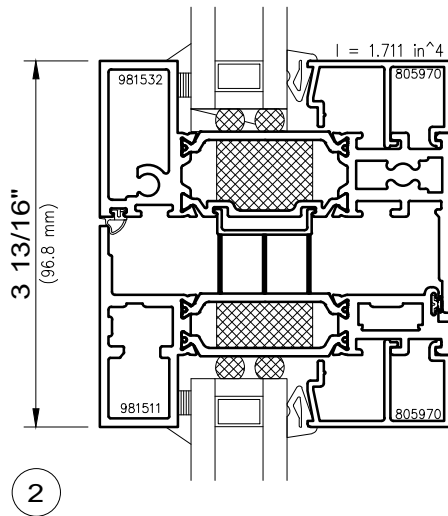
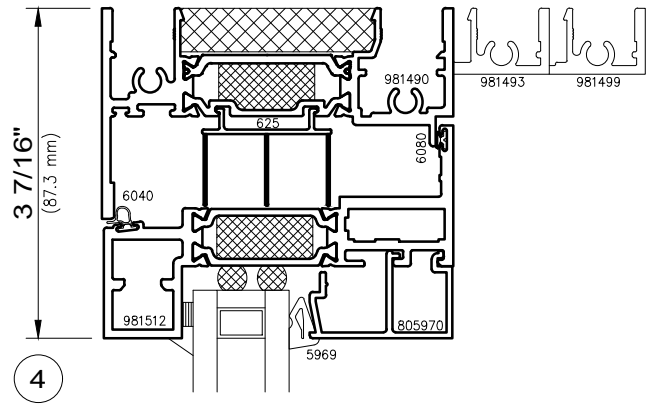
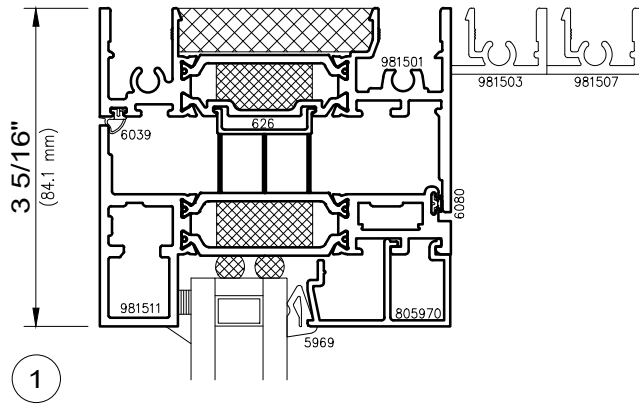
NFRC

2250i/3250i/4250i-XP INvent.PLUS

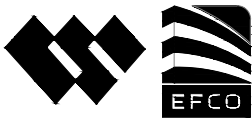
Contact A EFCO/Wausau Representative For Other Possible Configurations

Architectural Windows

2250i/3250i/4250i-XP INvent.PLUS™ Series

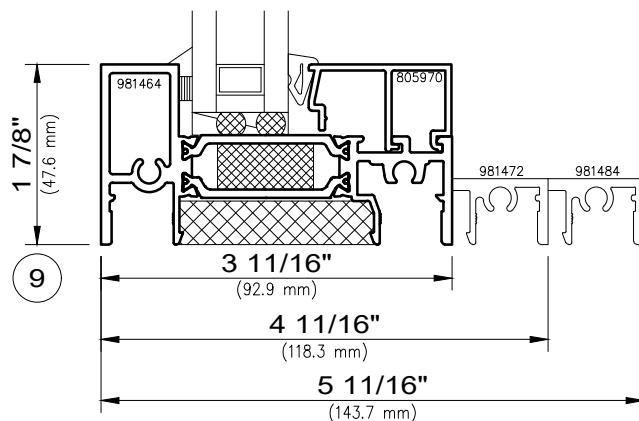
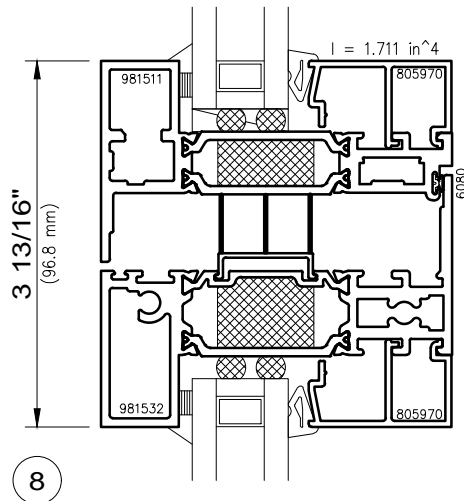
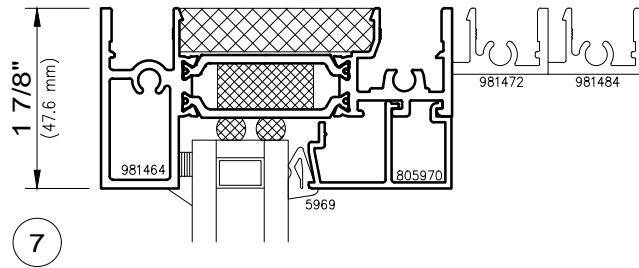


INSTALLATION NOTE: PERIMETER FRAME CAVITY INSULATION MUST BE PROVIDED AS NECESSARY TO MAINTAIN CONTINUITY OF THE THERMAL BARRIER



Architectural Windows

2250i/3250i/4250i-XP INvent.PLUS™ Series



INSTALLATION NOTE: PERIMETER FRAME CAVITY INSULATION MUST BE PROVIDED AS NECESSARY TO MAINTAIN CONTINUITY OF THE THERMAL BARRIER

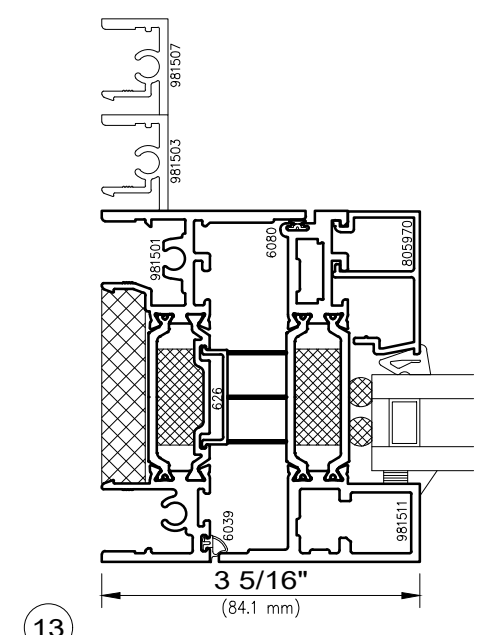
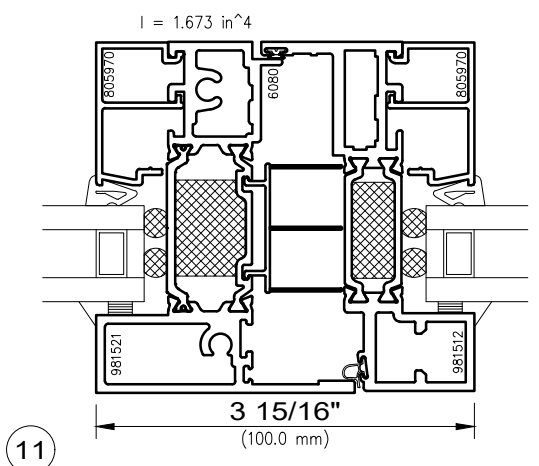
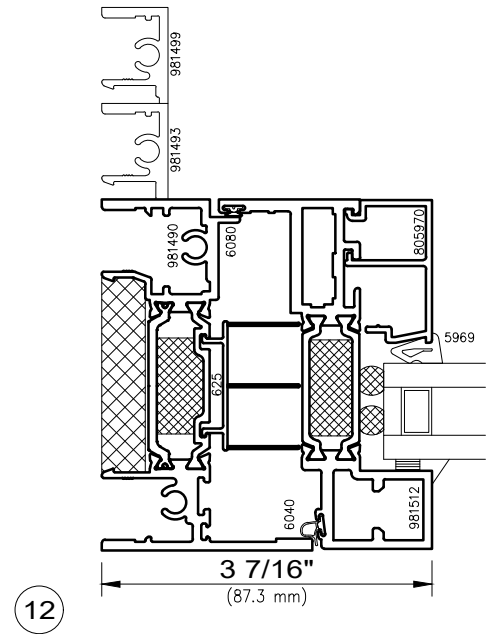
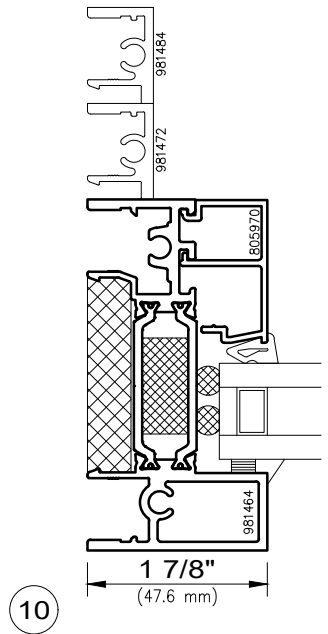


Developed and tested as Wausau 2250i/3250i/4250i-XP INvent.PLUS™ Series

Projected and Fixed Details

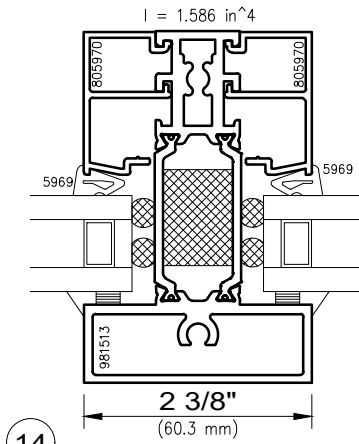
Architectural Windows

2250i/3250i/4250i-XP INvent.PLUS™ Series



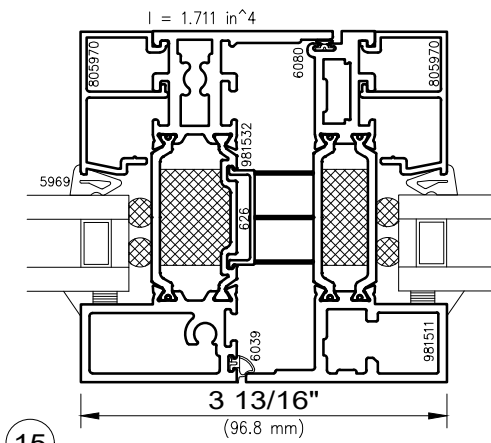
Fixed / Project-In Post

INSTALLATION NOTE: PERIMETER FRAME CAVITY INSULATION MUST BE PROVIDED AS NECESSARY TO MAINTAIN CONTINUITY OF THE THERMAL BARRIER



14

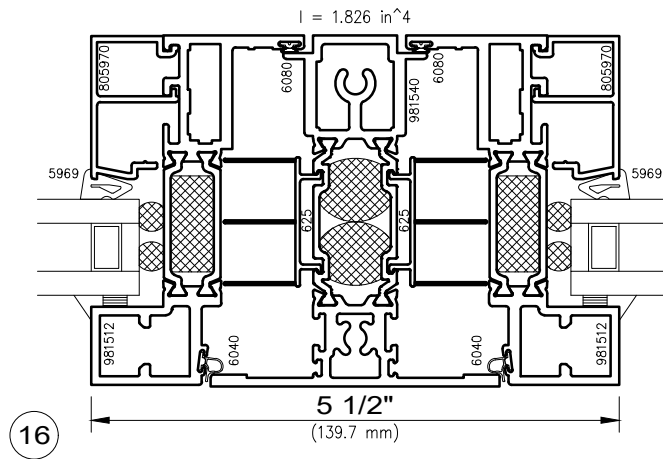
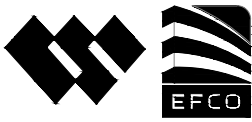
Fixed / Fixed Post



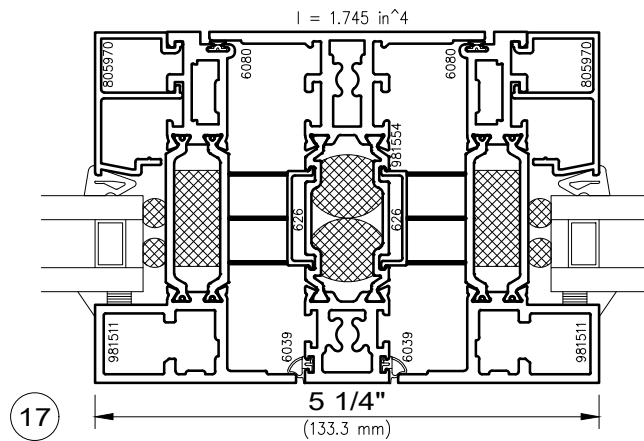
15

Fixed / Project-Out Post

I-values indicated are for frame members only.
Thermal barrier shear reduction of 25% included.



Project-In Vent / Project-In Vent Post

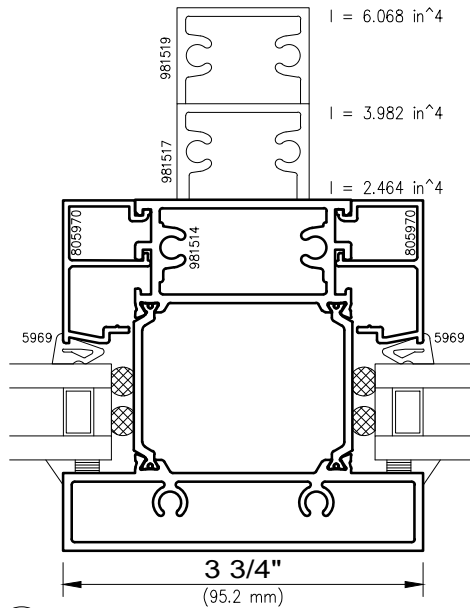


Project-Out Vent / Project-Out Vent Post

I-values indicated are for frame members only.
Thermal barrier shear reduction of 25% included.

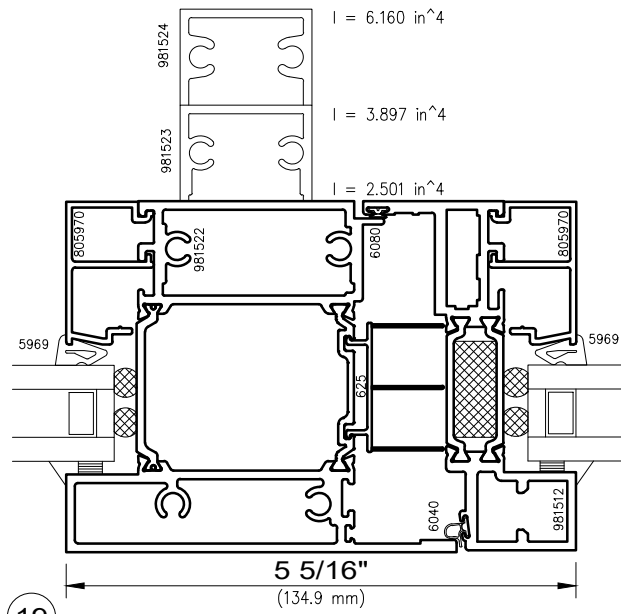
Architectural Windows

2250i/3250i/4250i-XP INvent.PLUS™ Series



18

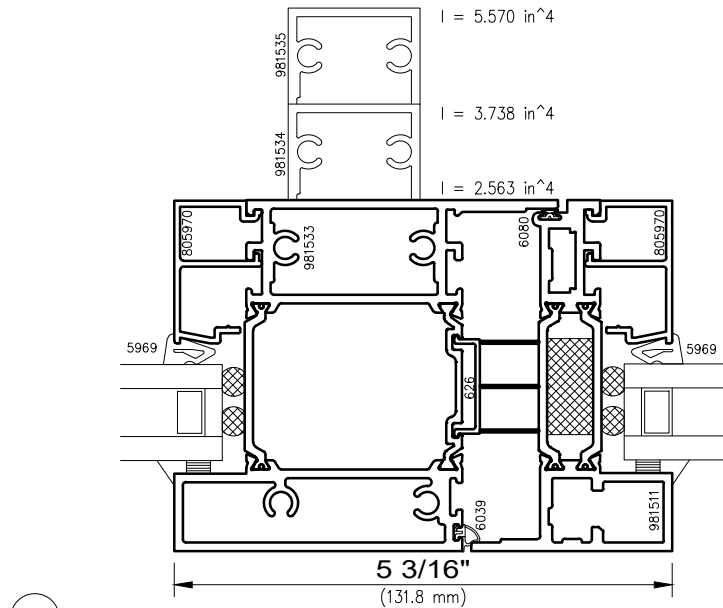
Fixed / Fixed Post



19

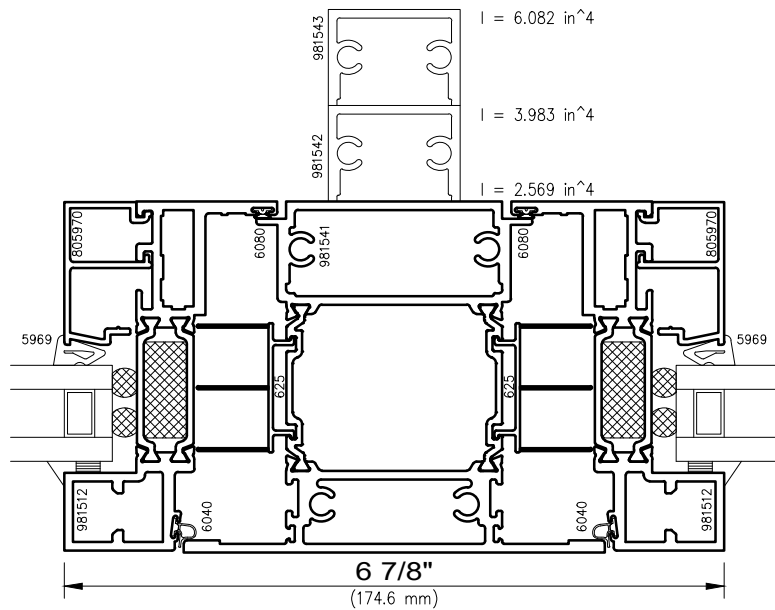
Fixed / Project-In Post

I-values indicated are for frame members only.
Thermal barrier shear reduction of 25% included.



20

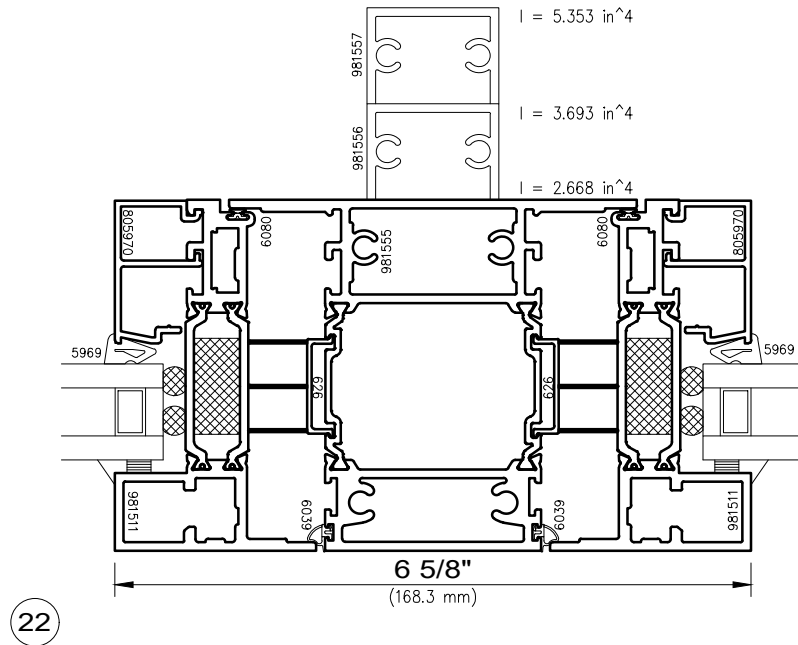
Fixed / Project-Out Post



21

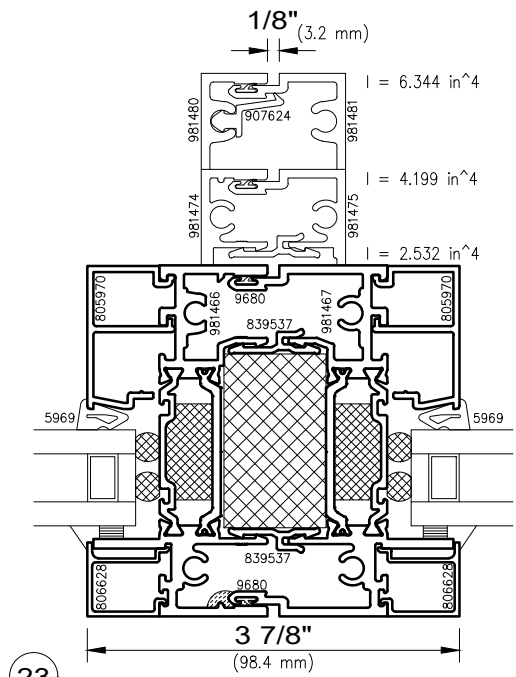
Project-In Vent / Project-In Vent Post

I-values indicated are for frame members only.
Thermal barrier shear reduction of 25% included.



22

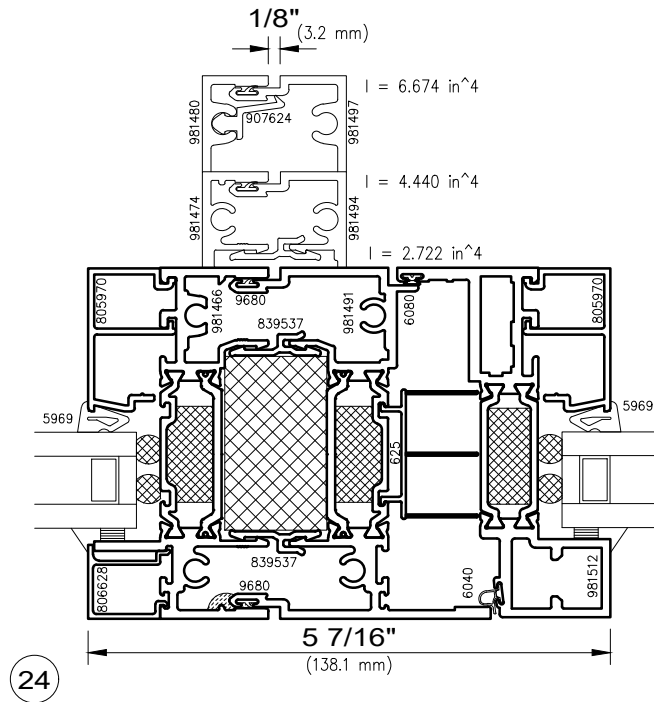
Project-Out Vent / Project-Out Vent Post



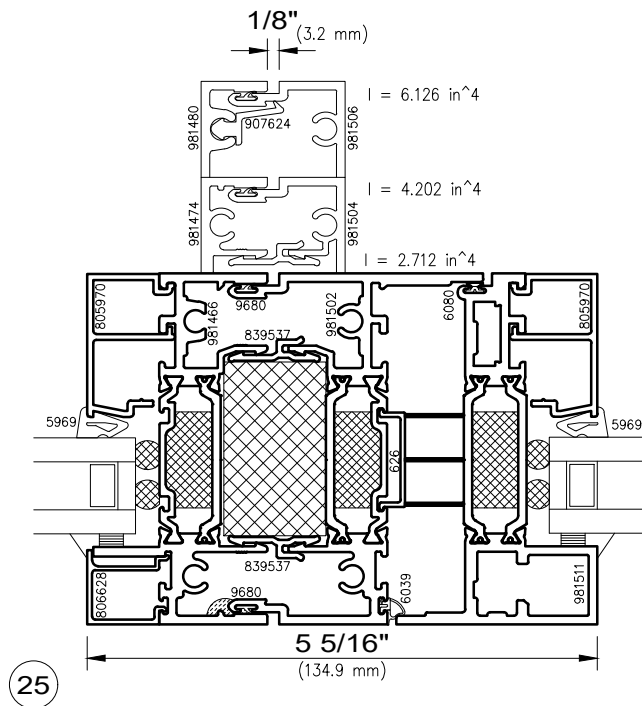
23

Fixed / Fixed

I-values indicated are for frame members only.
Thermal barrier shear reduction of 25% included.

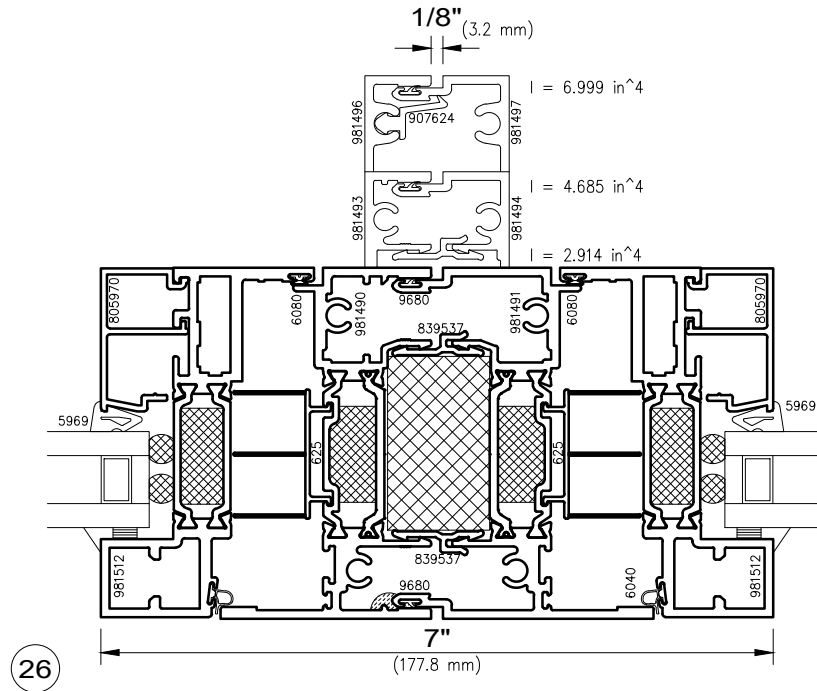


Fixed / Project-In

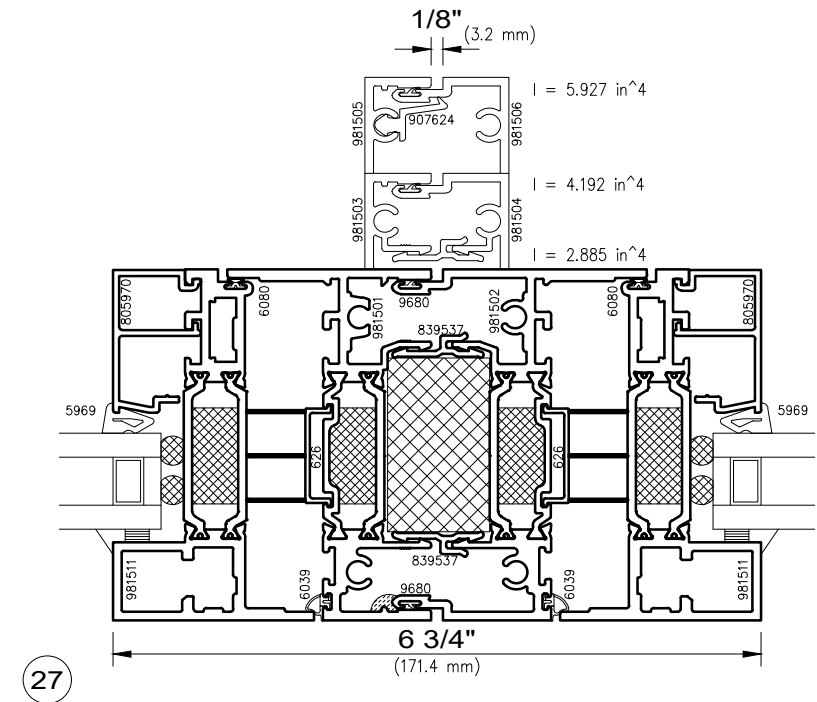


Fixed / Project-Out

I-values indicated are for frame members only.
Thermal barrier shear reduction of 25% included.

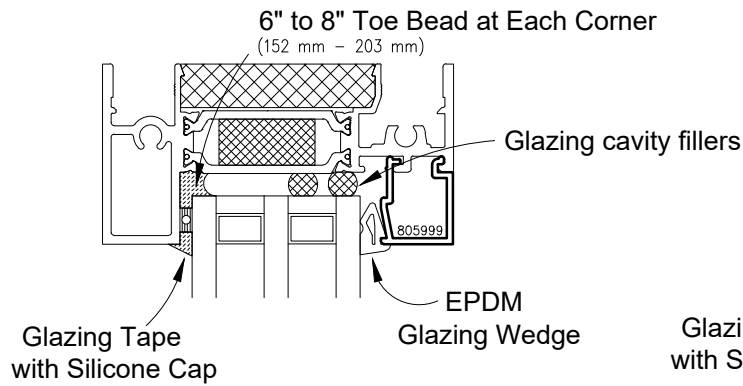


Project-In Vent / Project-In Vent

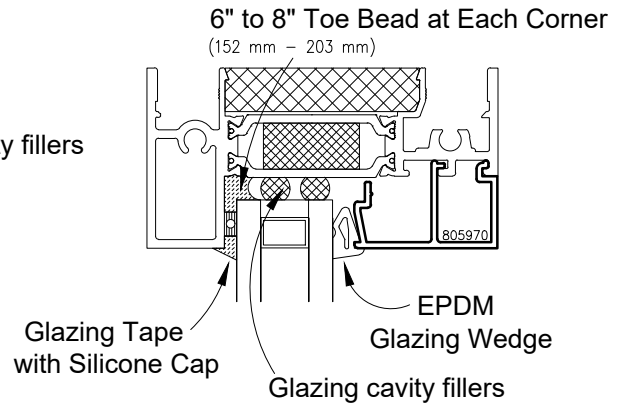


Project-Out Vent / Project-Out Vent

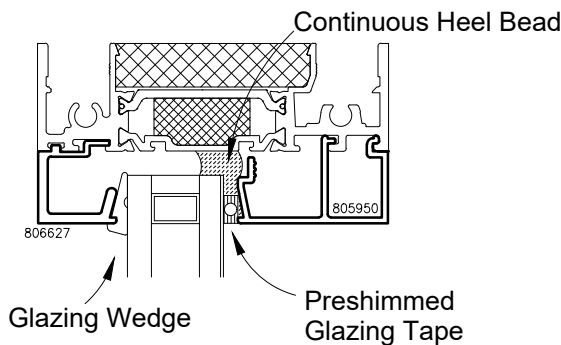
I-values indicated are for frame members only.
Thermal barrier shear reduction of 25% included.



1 3/4" Triple Insulating Glass
Inside Glazed



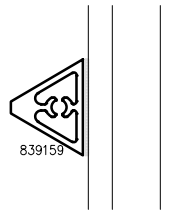
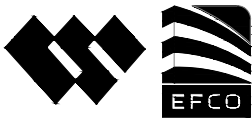
1" Double Insulating Glass
Inside Glazed



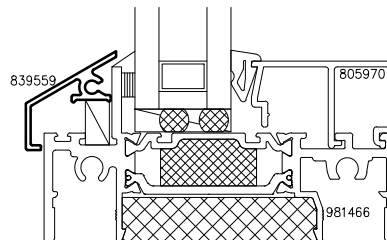
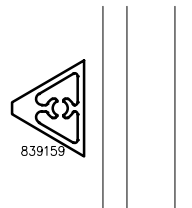
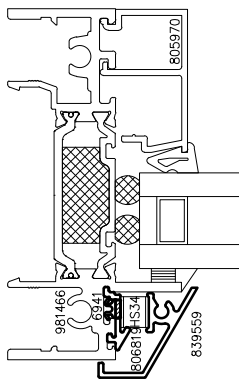
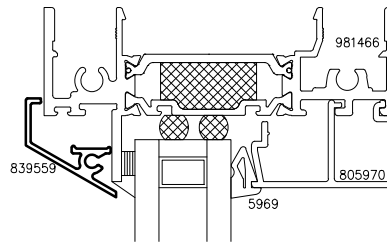
1" Spandrel
Outside/Inside Glazed

Blast and hurricane glazing is not available as standard in the INvent.PLUS Series. Contact EFCO/Wausau for blast and hurricane systems meeting the specific requirements of your project

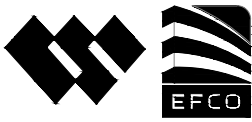
INSTALLATION NOTE: PERIMETER FRAME CAVITY INSULATION MUST BE PROVIDED AS NECESSARY TO MAINTAIN CONTINUITY OF THE THERMAL BARRIER



Tape Applied Muntins

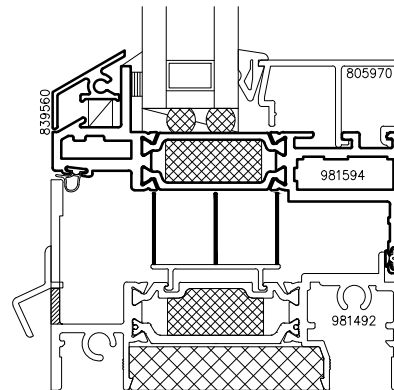
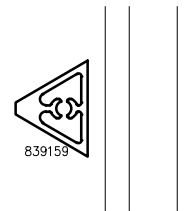
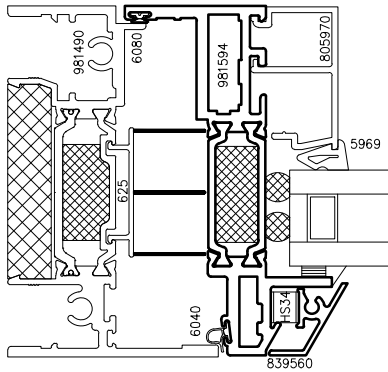
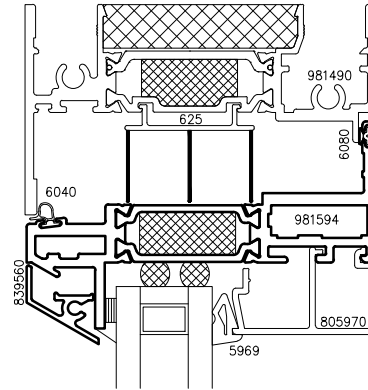


Fixed Snap-In Muntins



Architectural Windows

2250i/3250i/4250i-XP INvent.PLUS™ Series

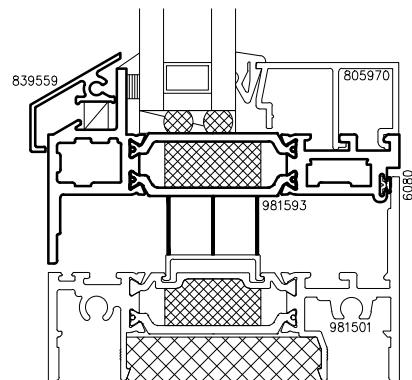
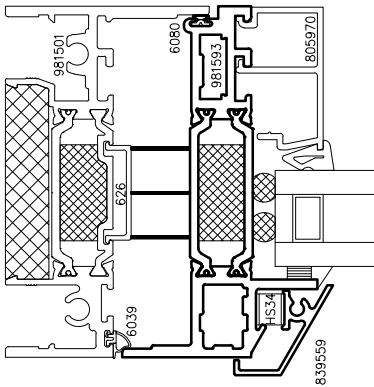
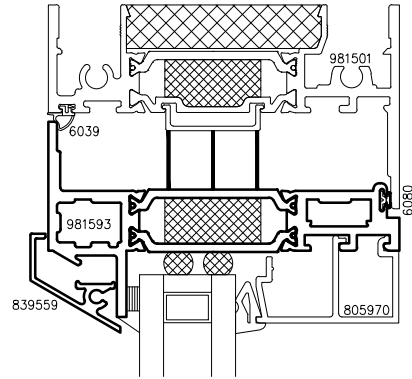


Project-In Snap-In Muntins



Architectural Windows

2250i/3250i/4250i-XP INvent.PLUS™ Series



Project-Out Snap-In Muntins

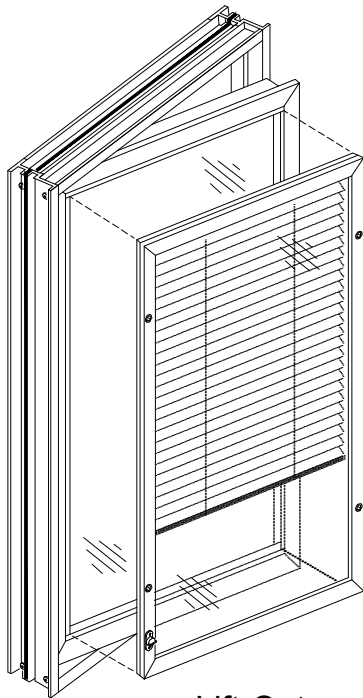


Developed and tested as Wausau 2250i/3250i/4250i-XP INvent.PLUS™ Series

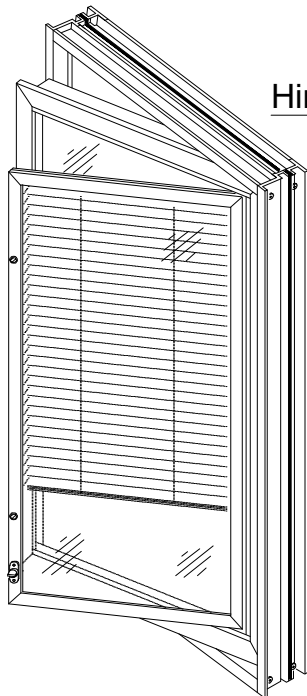
Architectural Windows

2250i/3250i/4250i-XP INvent.PLUS™ Series

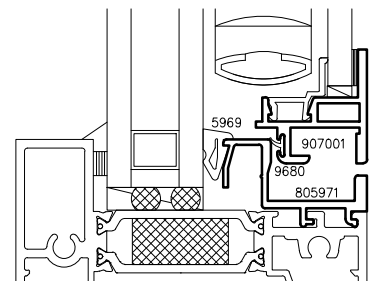
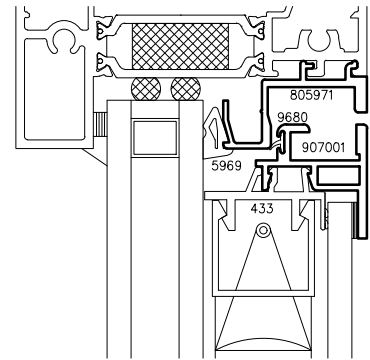
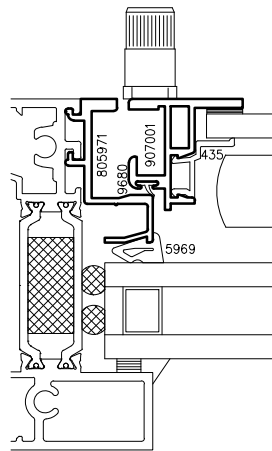
Elevations Shown As Viewed From The Interior



Lift-Out



Hinged



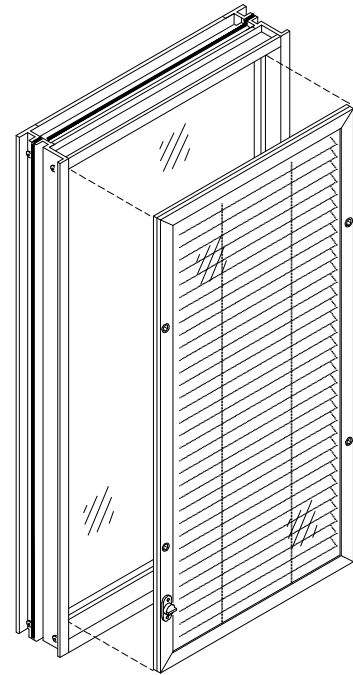
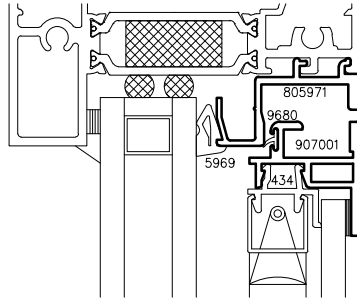
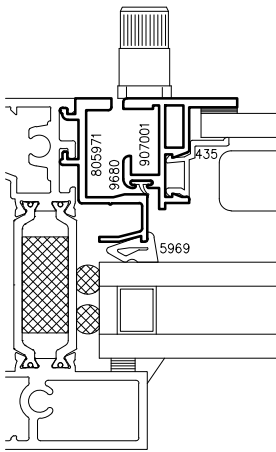
1" Blind/Triple Glazed



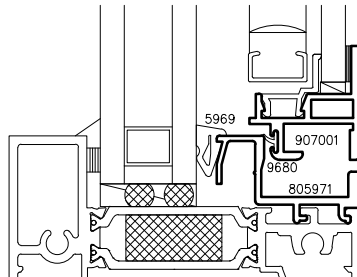
Architectural Windows

2250i/3250i/4250i-XP INvent.PLUS™ Series

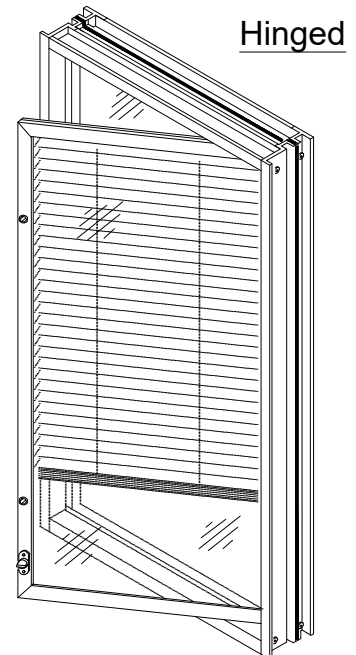
Elevations Shown As Viewed From The Interior



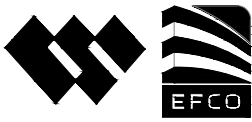
Lift-Out



5/8" Blind/Triple Glazed



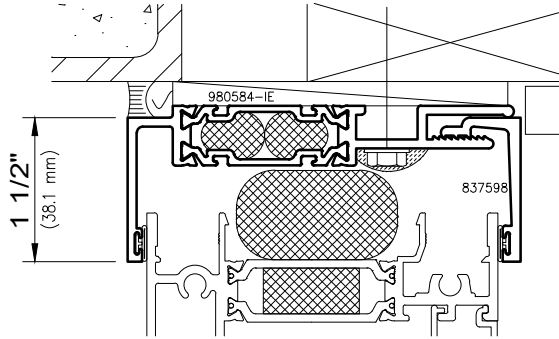
Hinged



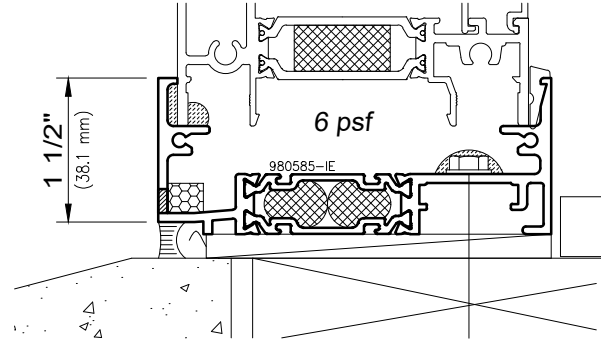
Architectural Windows

2250i/3250i/4250i-XP INvent.PLUS™ Series

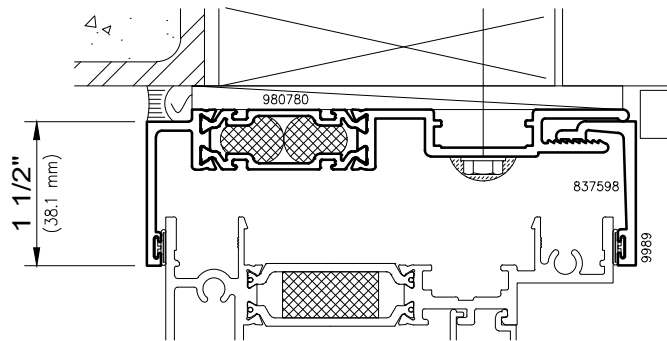
Non-stocked items shown – Minimum order quantity may apply



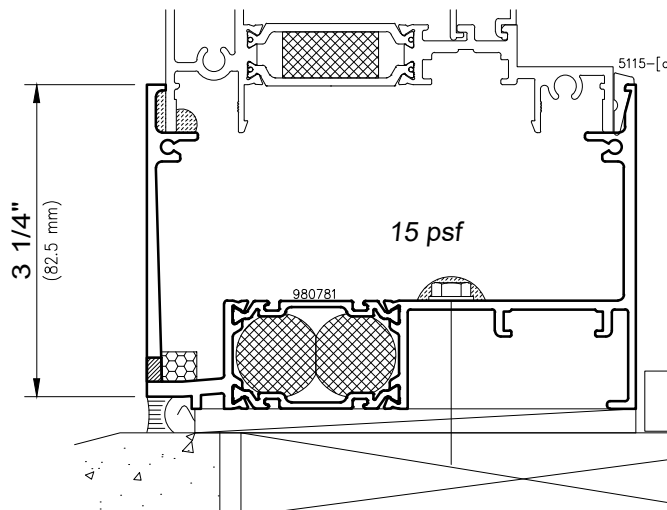
2250i-XP Head & Jamb Starter



2250i-XP Sill Starter

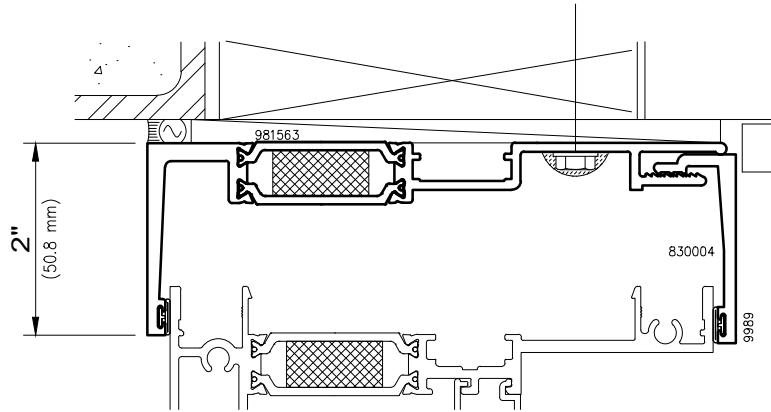
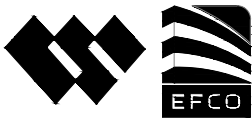


3250i-XP Head & Jamb Starter

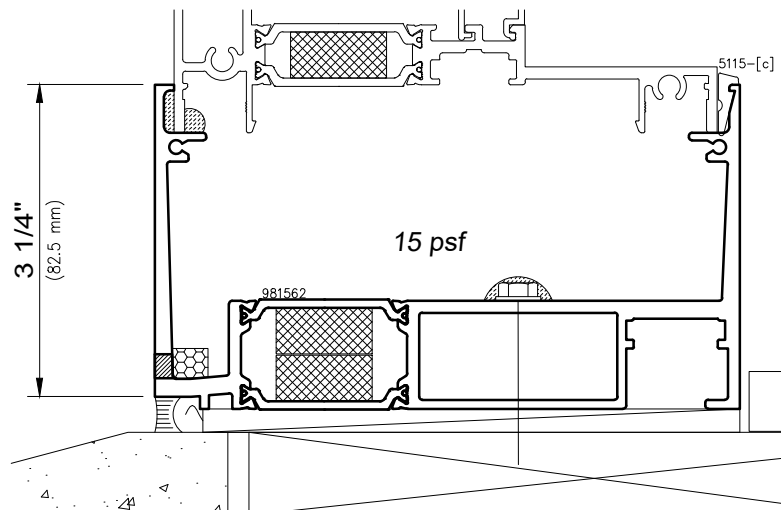


3250i-XP Sill Starter

Value in psf Indicates Approximate Water Head (Without Pressure Equalization)
Other Sill Starters Available For Higher or Lower Water Test Pressures



4250i-XP Head & Jamb Starter



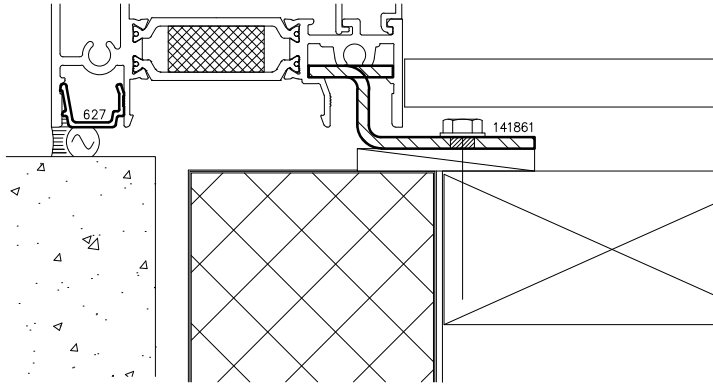
4250i-XP Sill Starter

Value in psf Indicates Approximate Water Head (Without Pressure Equalization)
Other Sill Starters Available For Higher or Lower Water Test Pressures

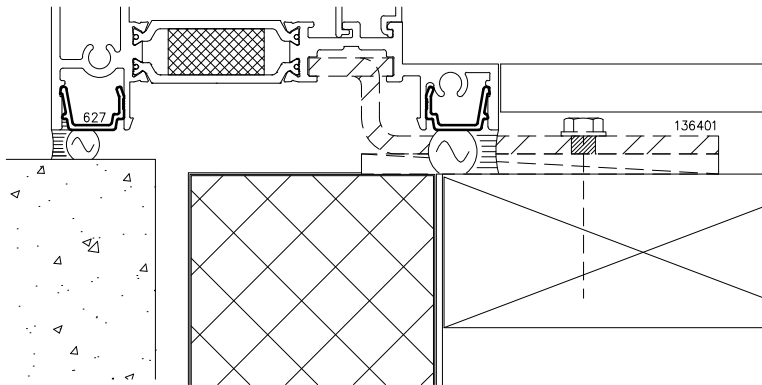


Architectural Windows

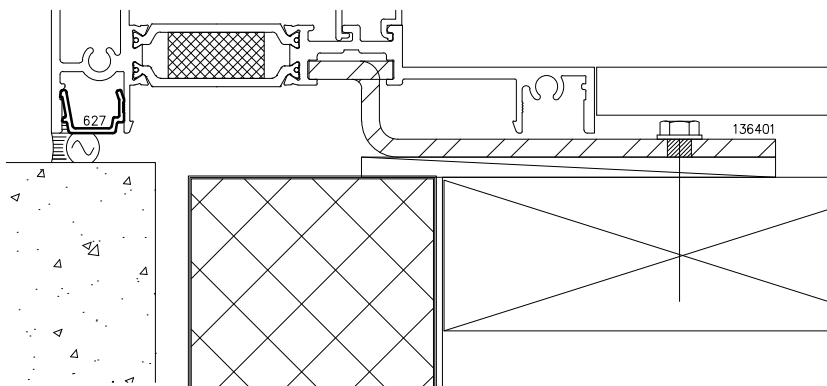
2250i/3250i/4250i-XP INvent.PLUS™ Series



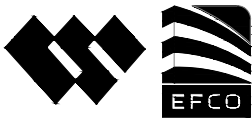
2250i-XP Slide-In Anchor
1/8" (nom.) Formed Steel
PVC Caulk Backer



3250i-XP Heavy Duty
Slide-In Anchor
3/16" (nom.) Formed Steel
PVC Caulk Backer



4250i-XP Heavy Duty
Slide-In Anchor
3/16" (nom.) Formed Steel
PVC Caulk Backer



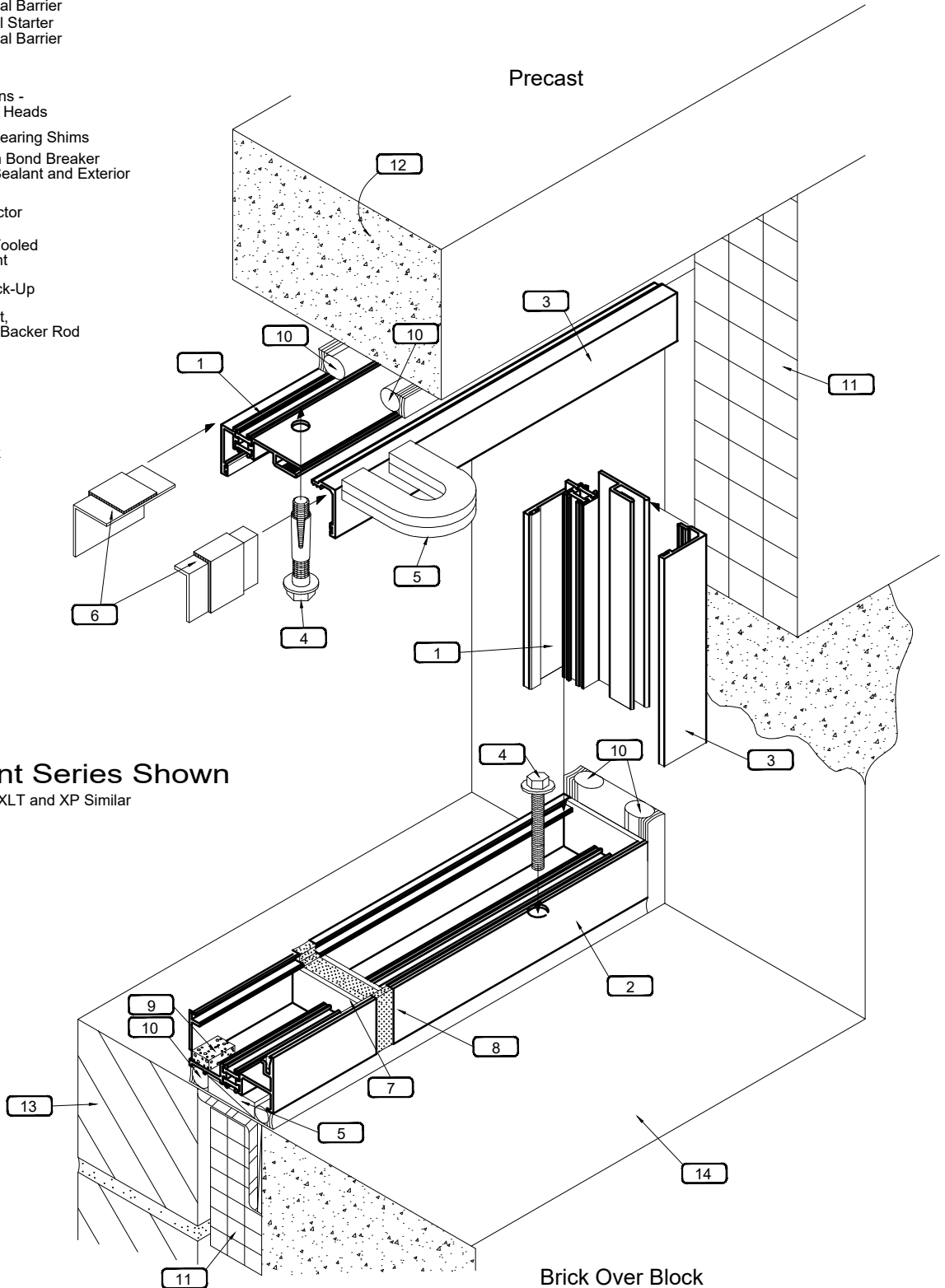
Architectural Windows

2250i/3250i/4250i-XP INvent.PLUS™ Series

Key:

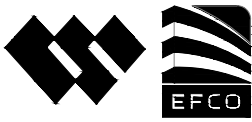
- 1 Extruded Aluminum Head And Jamb Starter With Polyamide Thermal Barrier
- 2 Extruded Aluminum Sill Starter With Polyamide Thermal Barrier
- 3 Drive-On Starter Strip
- 4 Structural Attachment May Vary Per Conditions - Field Seal All Fastener Heads
- 5 Erector Installed Full-Bearing Shims
- 6 Aluminum Splices With Bond Breaker Tape - Erector Set In Sealant and Exterior Applied Sealant Joint
- 7 Aluminum Splice - Erector Set In Sealant
- 8 Erector Installed And Tooled Expansion / Splice Joint
- 9 Foam Baffle Weep Back-Up
- 10 Perimeter Sealant Joint, Specified Sealant And Backer Rod
- 11 Insulation
- 12 Stone Lintel
- 13 Brick
- 14 Interior Concrete Block

Note: Installation Conditions Vary...



2250i INvent Series Shown

-XLT and XP Similar



Architectural Windows

2250i/3250i/4250i-XP INvent.PLUS™ Series

Frames

- 1 Extruded Frame Extender (When Required)
- 2 PVC Caulk Backer
- 3 Specified Rod And Perimeter Sealant
- 4 Erector Dead Load Shim

Anchorage (Using Slide-In Anchors)

- 5 Stainless Steel Fasteners Suitable For Substrate Material
- 6 Steel Slide-In Anchor With Fasteners (When Required At 3 1/2" And 4 1/2" Depth Systems)

Perimeter

- 7 Brick
- 8 Flashing
- 9 Insulation
- 10 Always Maintain Vapor Barrier Between Frame And Adjacent Walls
- 11 General Contractor Provide Blocking To Secure Attachment Into Steel Studs
- 12 Erector Installed Full-Bearing Shim

2250i INvent Series Shown

-XLT and XP Similar

