



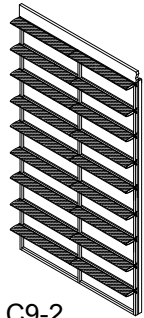
WAUSAU

WINDOW AND WALL
SYSTEMS

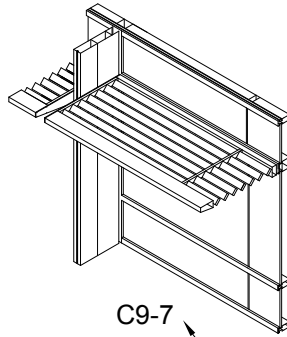
CLEAR STORY™ SUN SHADES & LIGHT SHELVES

Architectural Products

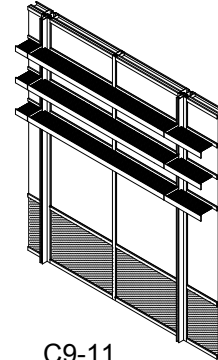
SUN CONTROL



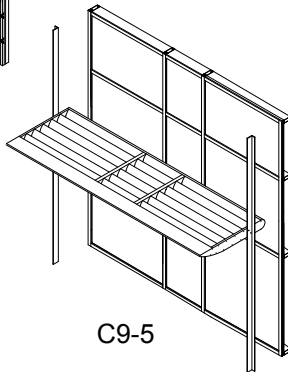
C9-2



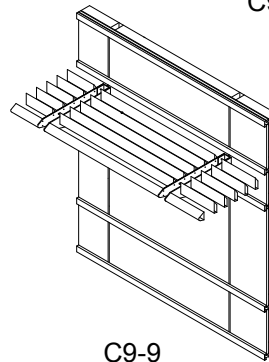
C9-7



C9-11



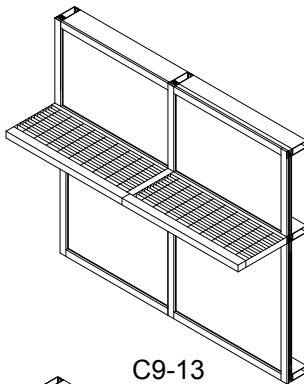
C9-5



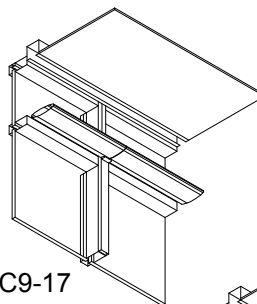
C9-9

Catalog Page Number

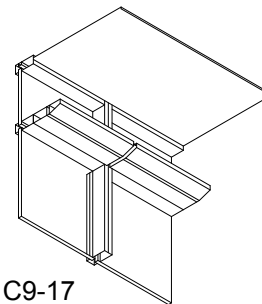
Sunshades..... C9-2 thru C9-16
Interior Light Shelves..... C9-17 thru C9-19



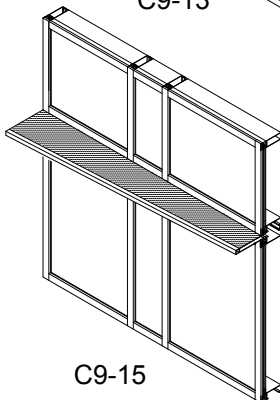
C9-13



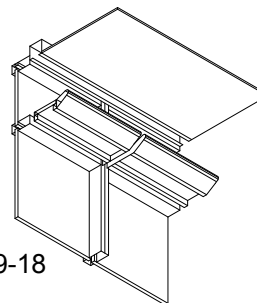
C9-17



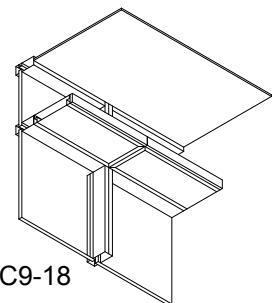
C9-17



C9-15



C9-18



C9-18

SUN CONTROL



WAUSAU

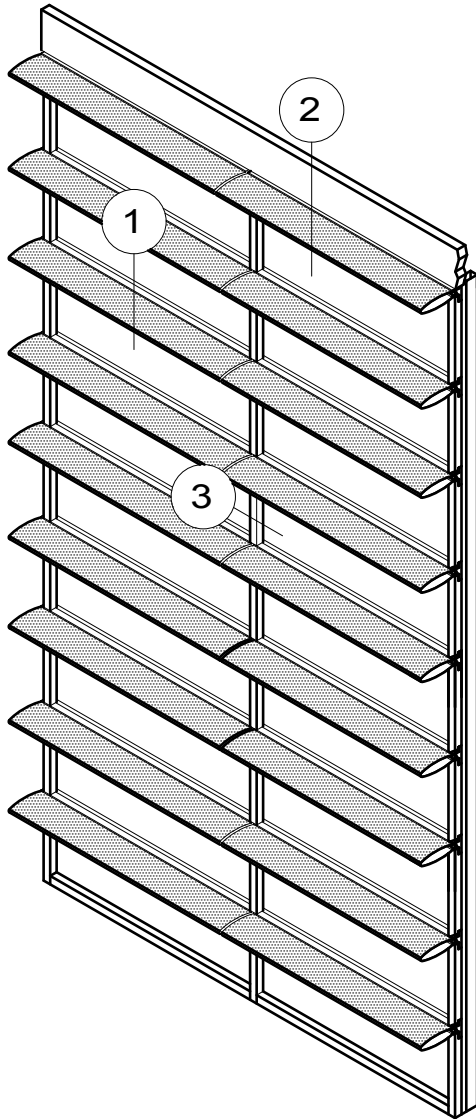
WINDOW AND WALL
SYSTEMS

CLEAR STORY™ SUN SHADES

Architectural Products

SUN CONTROL

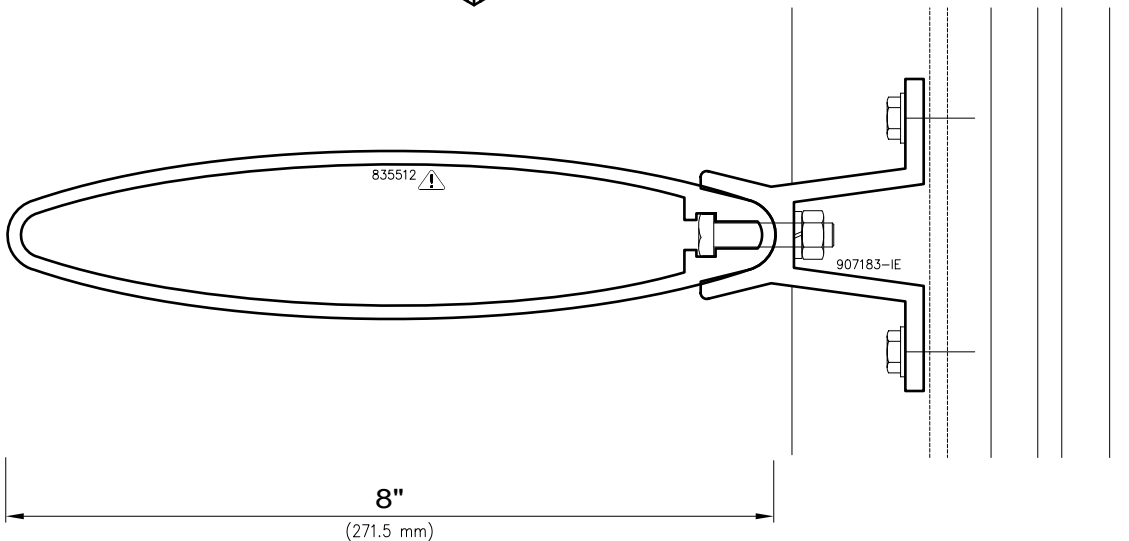
Non-stocked items shown – Minimum order quantity may apply



Extruded Sunshades

1 Horizontal
(Half Size)

1 3/4"
(44.5 mm)



⚠ - OBSOLETE TOOLING STATUS

SCALE: AS NOTED

C9-2

WAUSAU 2008



WAUSAU

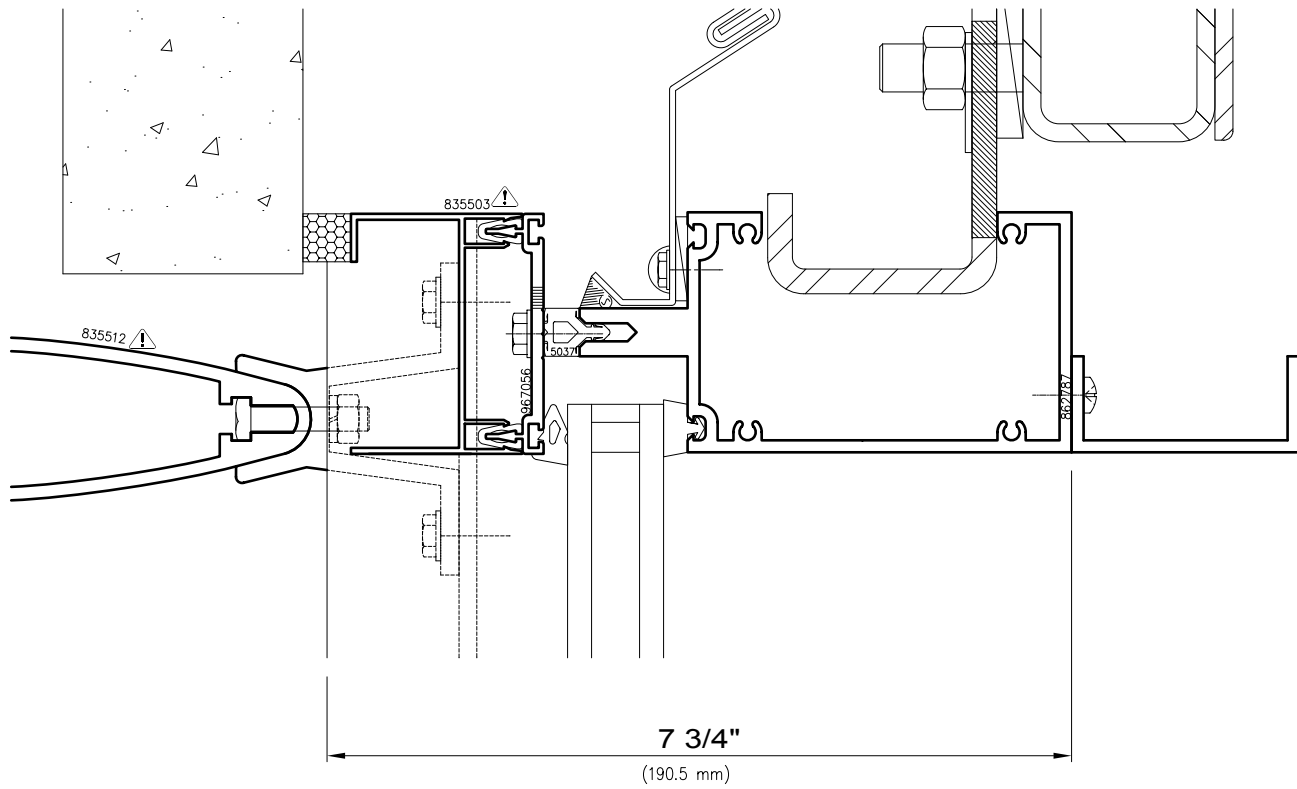
WINDOW AND WALL
SYSTEMS

CLEAR STORY™ SUN SHADES

Architectural Products

SUN CONTROL

Non-stocked items shown – Minimum order quantity may apply



② Head

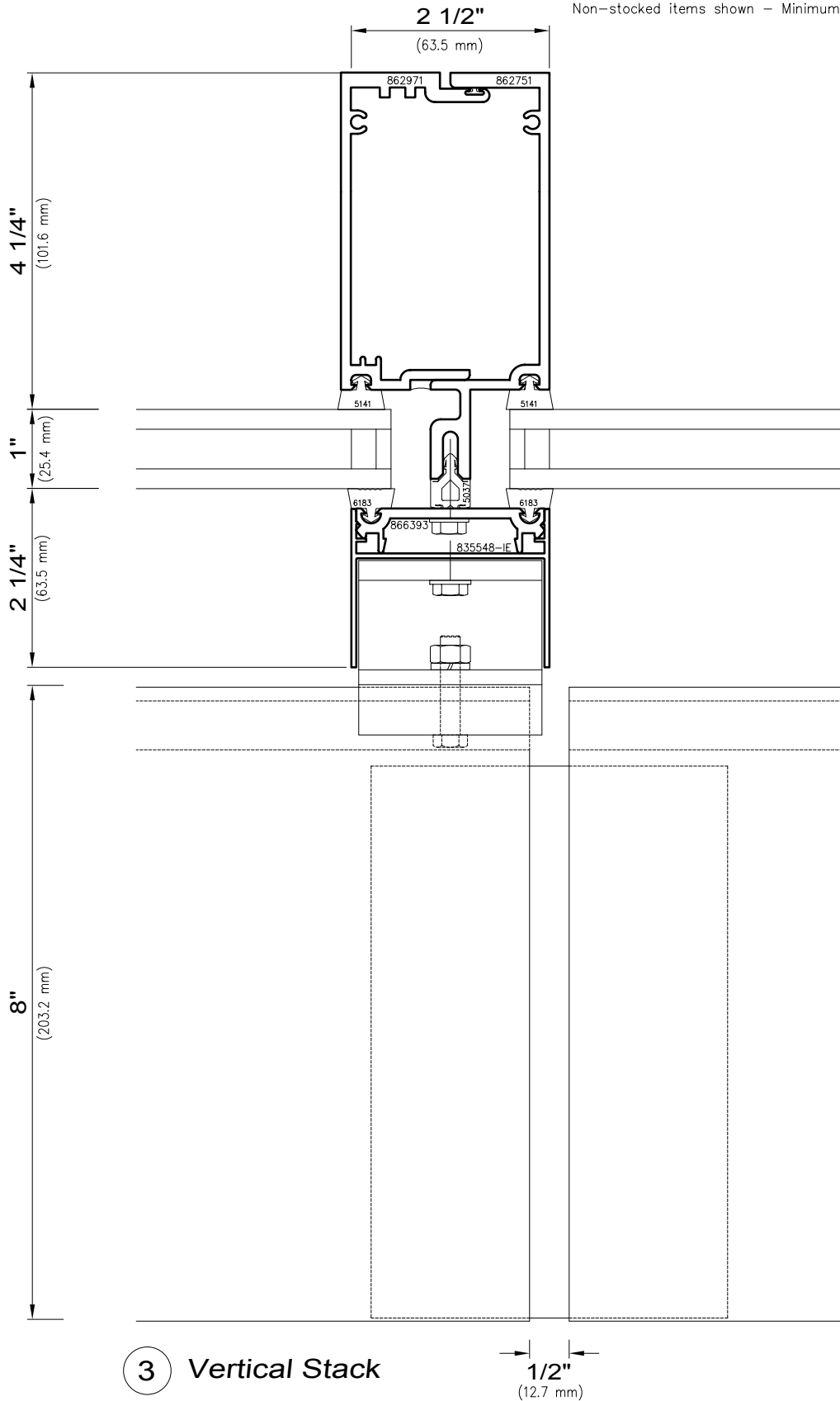
⚠ - OBSOLETE TOOLING STATUS

SCALE: 6"=1'0"

C9-3

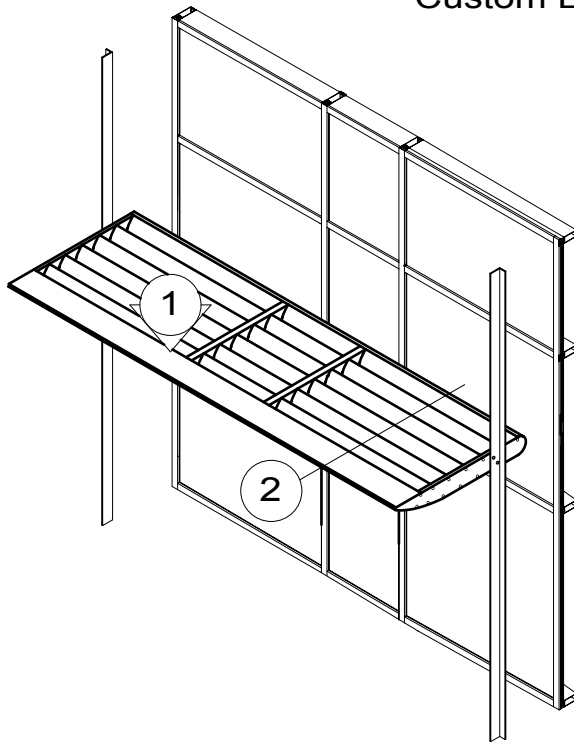
WAUSAU 2008

Non-stocked items shown – Minimum order quantity may apply

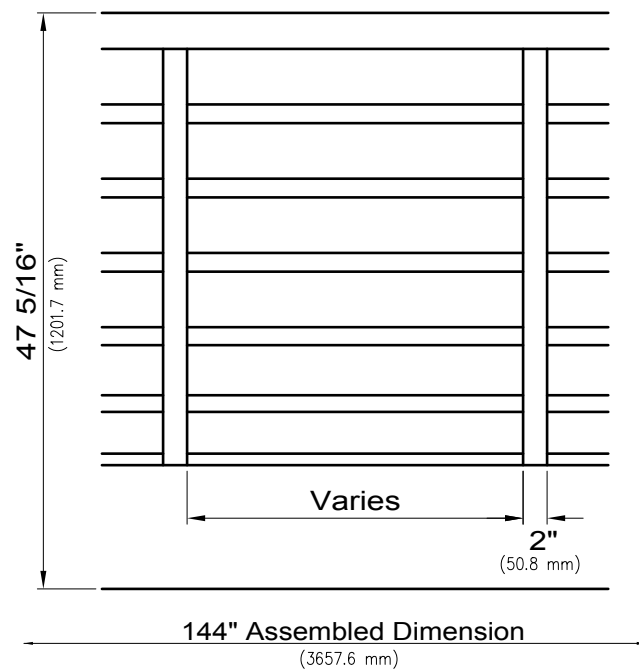


Non-stocked items shown – Minimum order quantity may apply

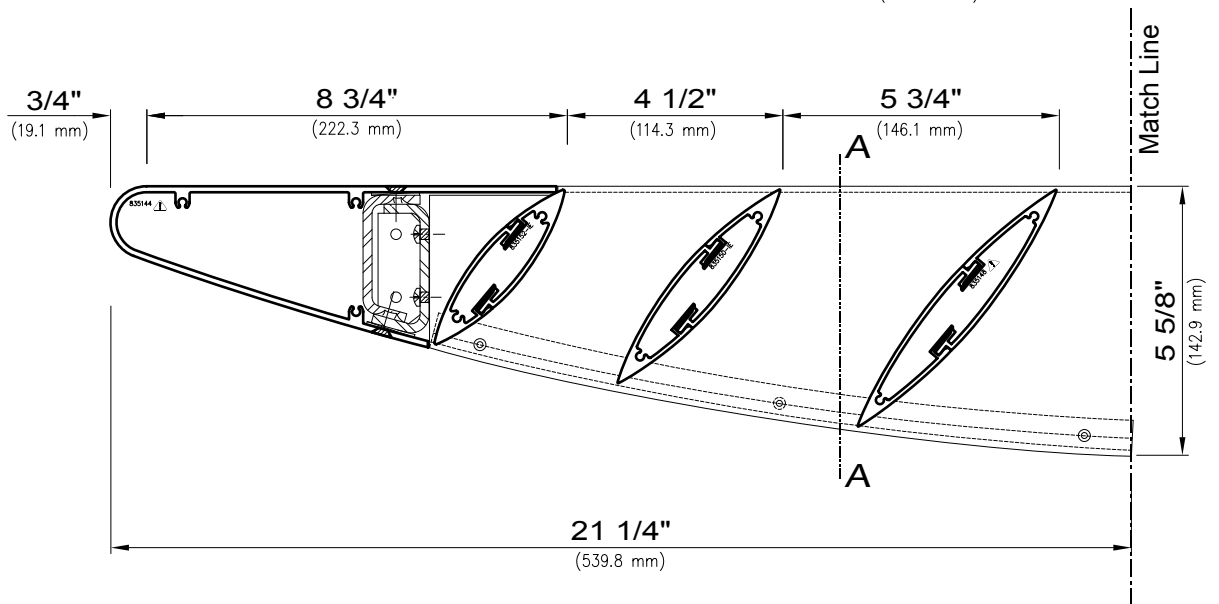
Custom Extruded Louvered Aluminum Sunshade




1 Plan View
(Not To Scale)



2 Section Detail
(Quarter Size)



 - OBSOLETE TOOLING STATUS



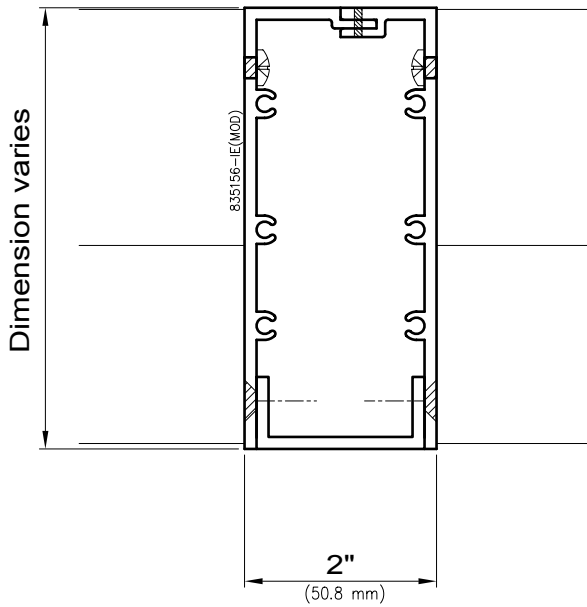
Architectural Products

SUN CONTROL

Non-stocked items shown – Minimum order quantity may apply

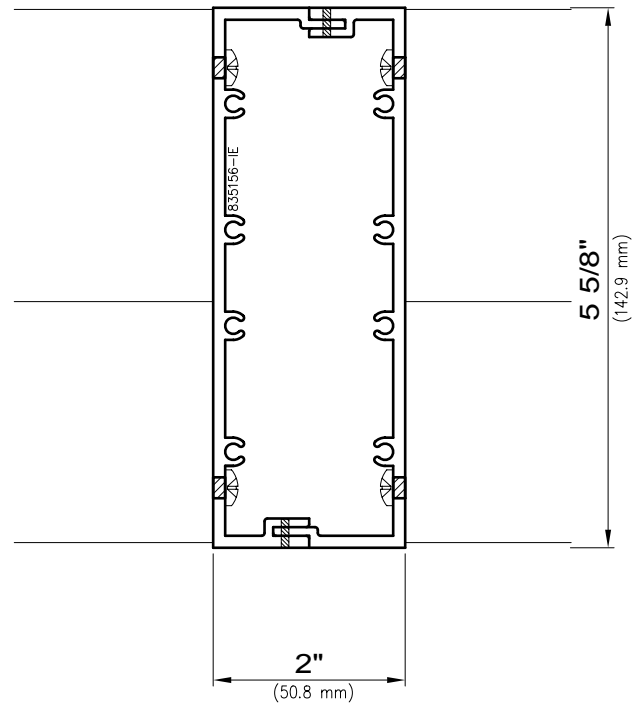
Section "A-A"

(Half Size)



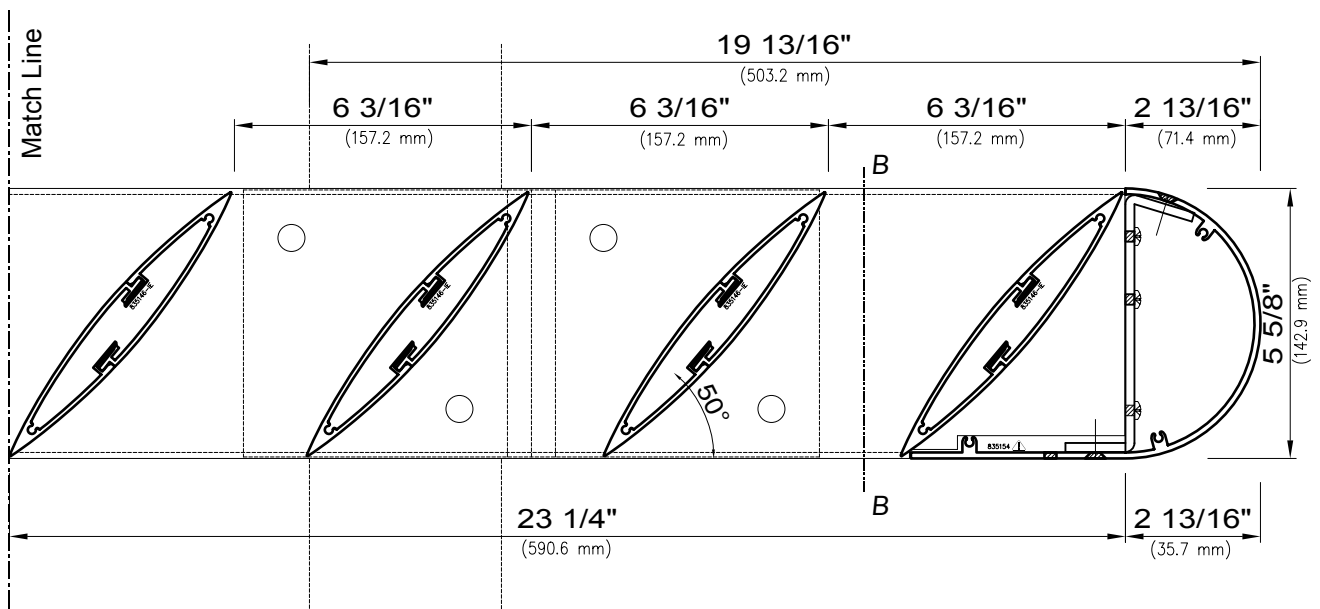
Section "B-B"

(Half Size)



2 Section Detail (Continued)

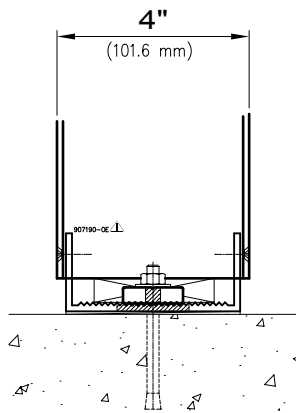
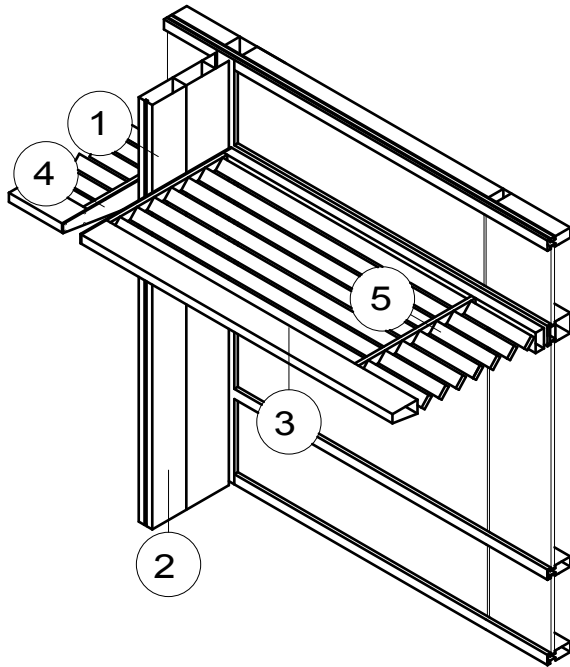
(Quarter Size)



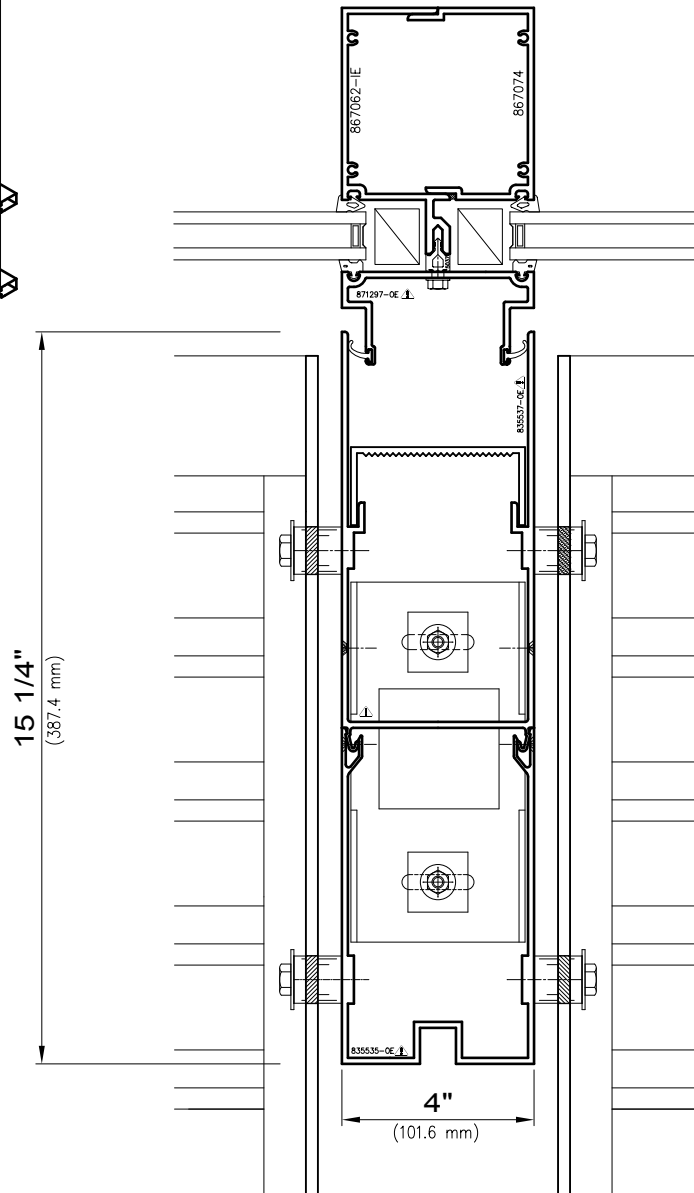
⚠ - OBSOLETE TOOLING STATUS

Non-stocked items shown – Minimum order quantity may apply


Tubular Aluminum Sunshades



2 Sill Anchor
(Quarter Size)



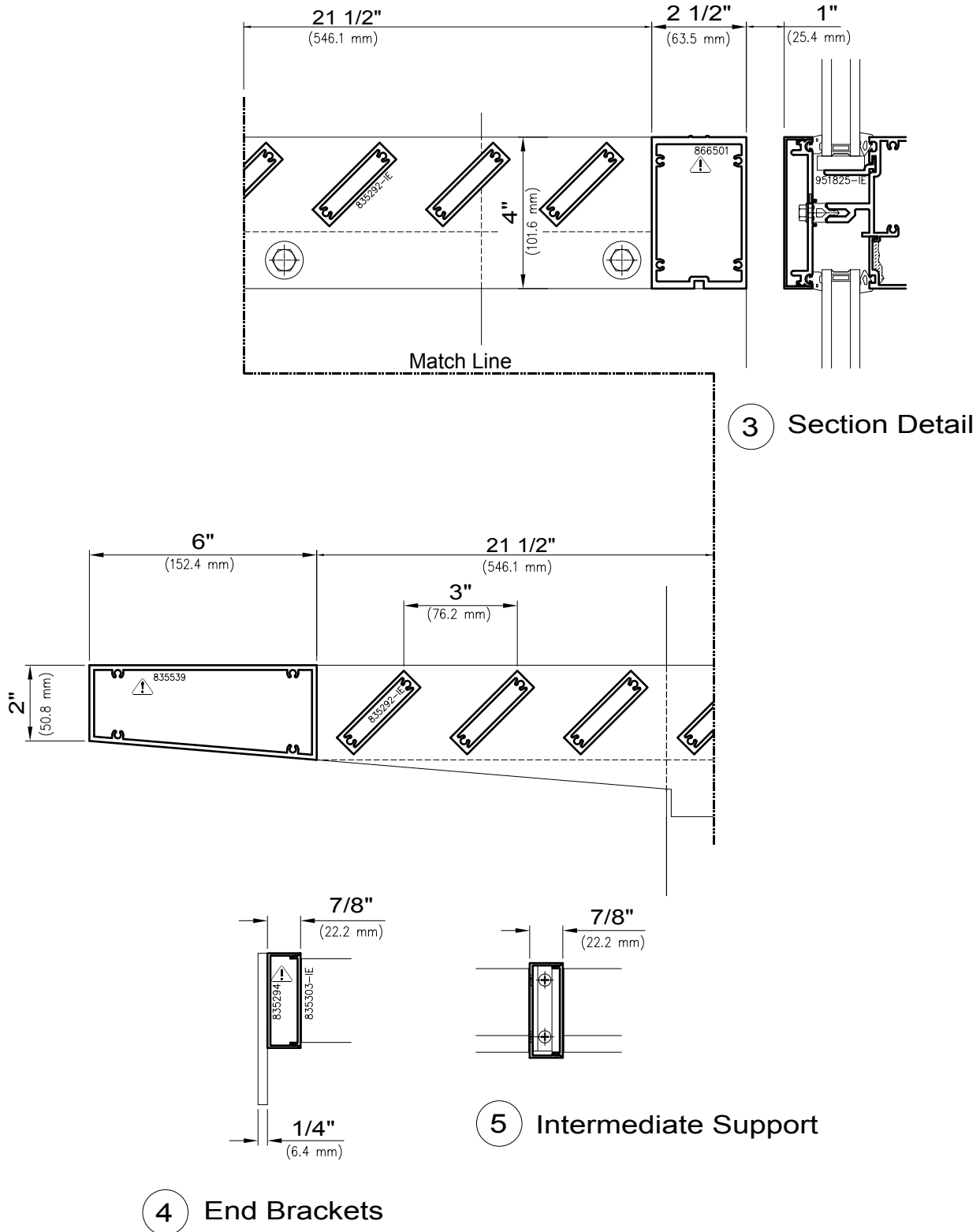
1 Plan Detail
(Quarter Size)

 - OBSOLETE TOOLING STATUS

Architectural Products

SUN CONTROL

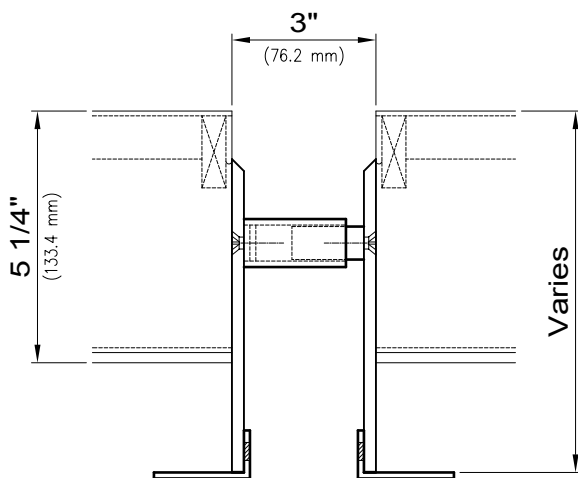
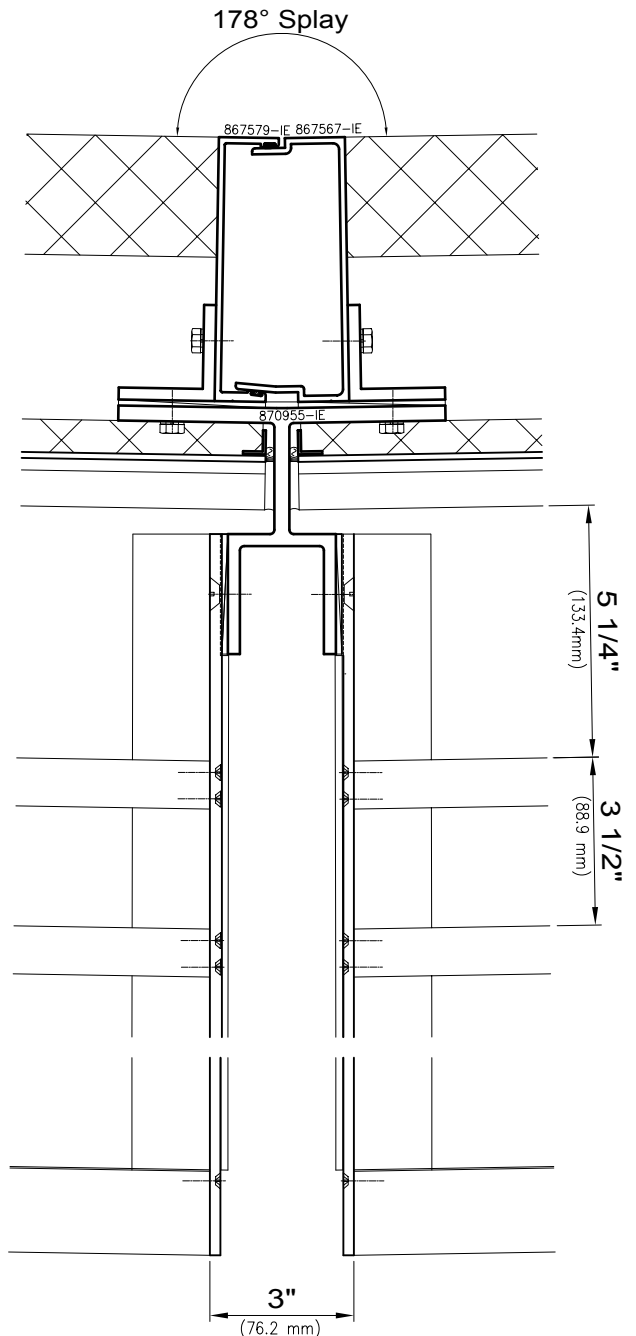
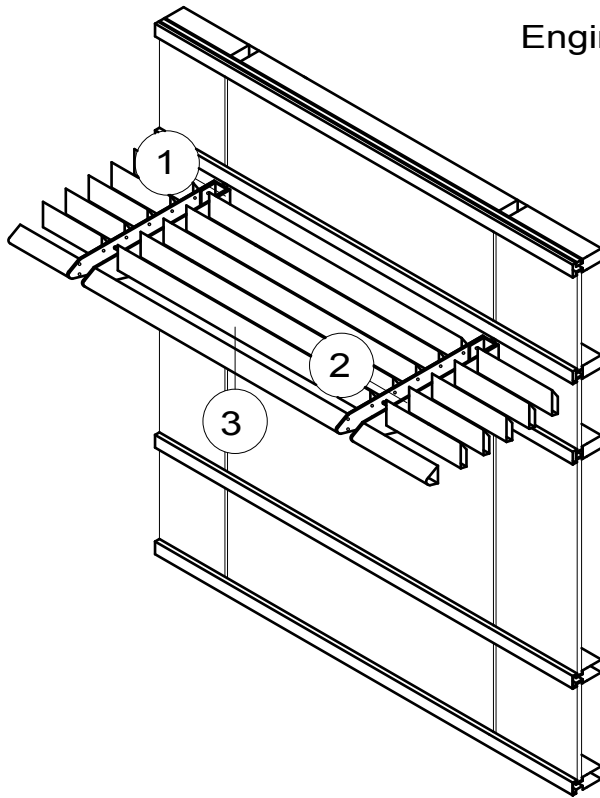
Non-stocked items shown – Minimum order quantity may apply



⚠ – OBSOLETE TOOLING STATUS

Non-stocked items shown – Minimum order quantity may apply

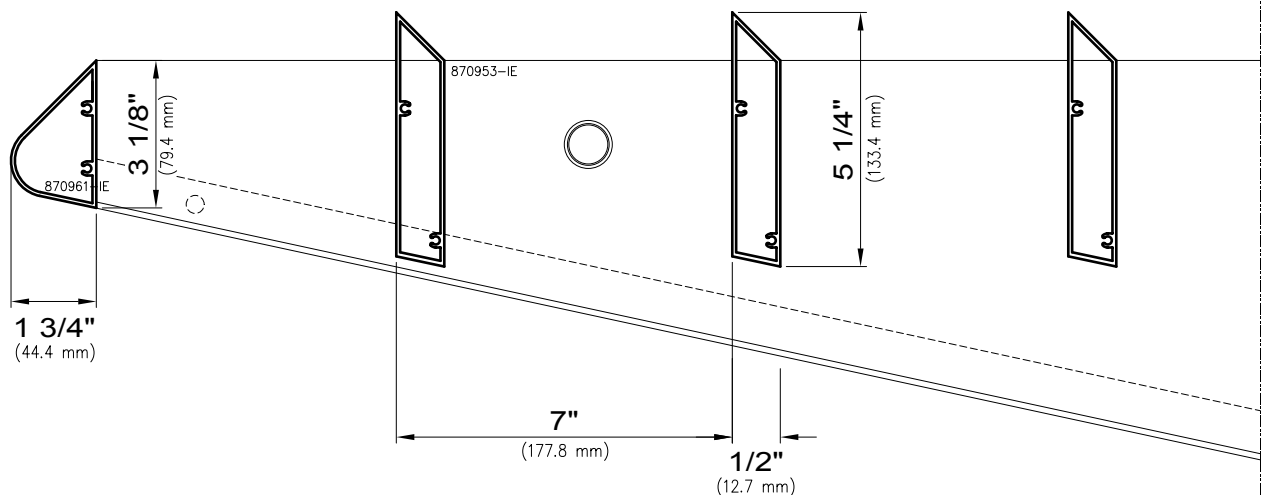
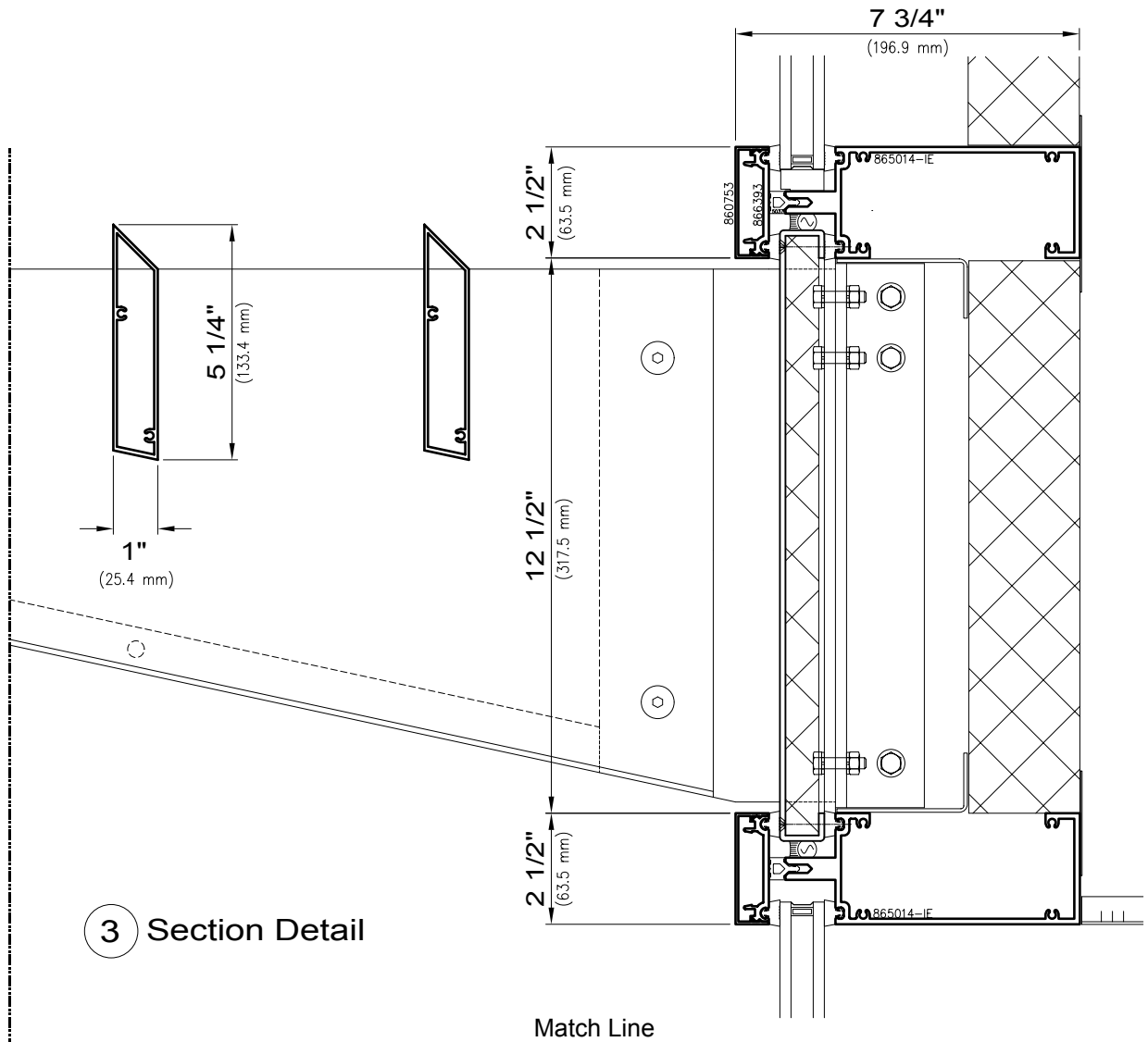
Engineered Trapezoidal Aluminum Sunshades



2 Alignment
(Quarter Size)

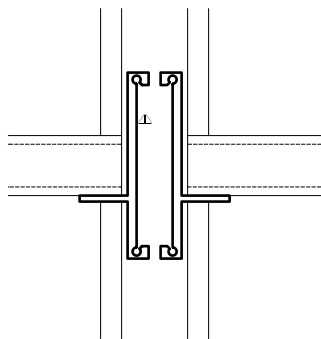
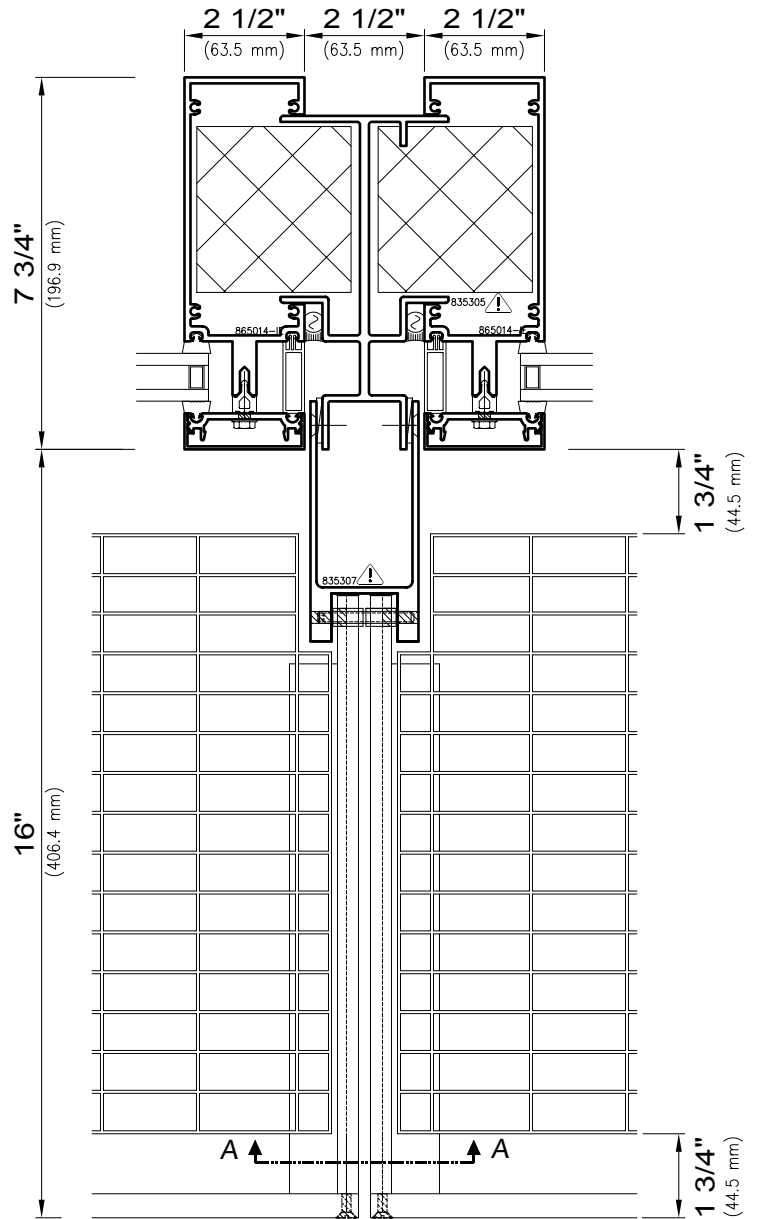
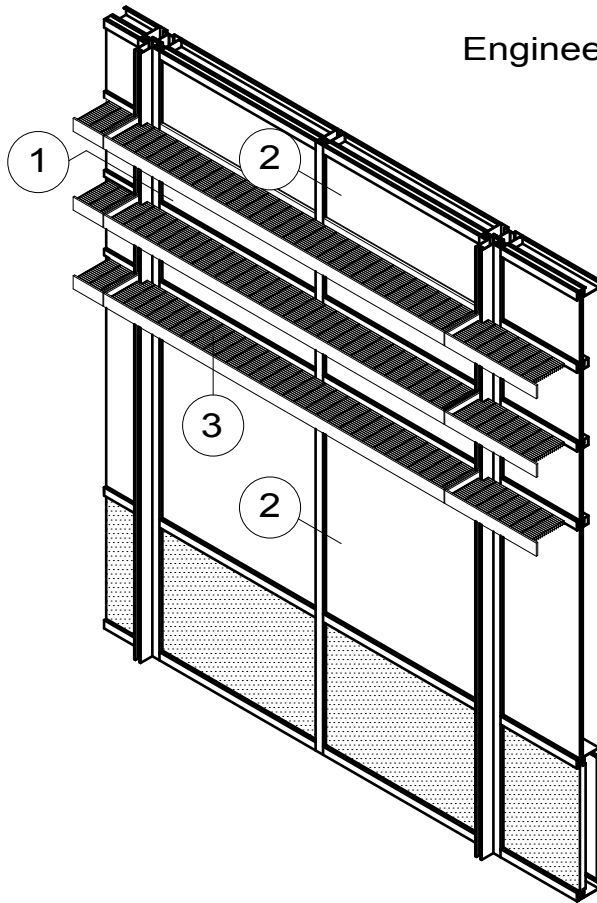
1 Plan Detail
(Quarter Size)

Non-stocked items shown – Minimum order quantity may apply



Non-stocked items shown – Minimum order quantity may apply

Engineered Aluminum Sunshade Grating Support

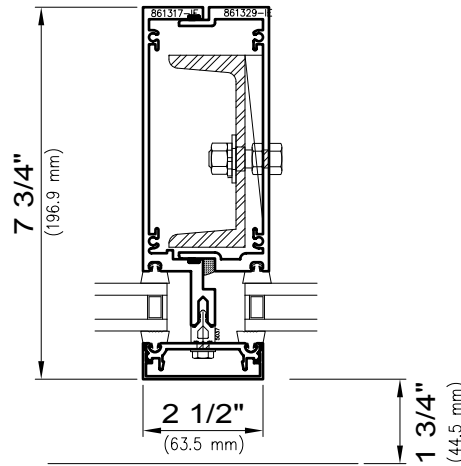


Section A-A

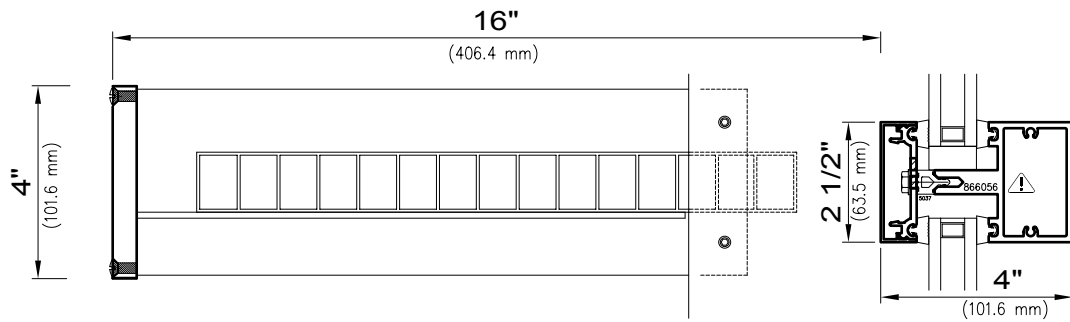
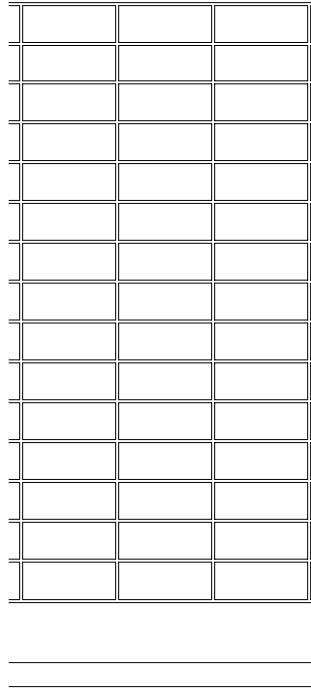
1 Plan Detail
(Quarter Size)

⚠ - OBSOLETE TOOLING STATUS

Non-stocked items shown – Minimum order quantity may apply



2 Mullion



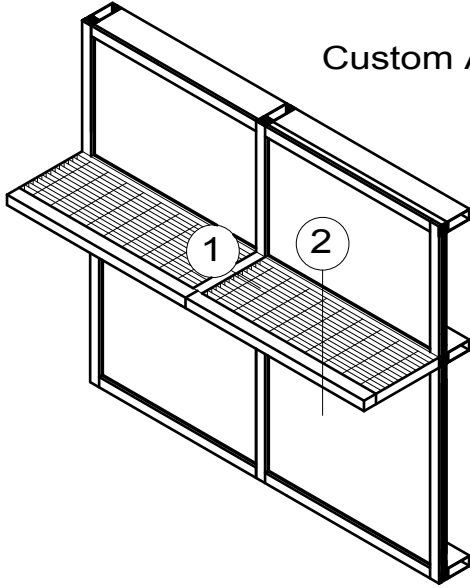
3 Sunshade

⚠ - OBSOLETE TOOLING STATUS



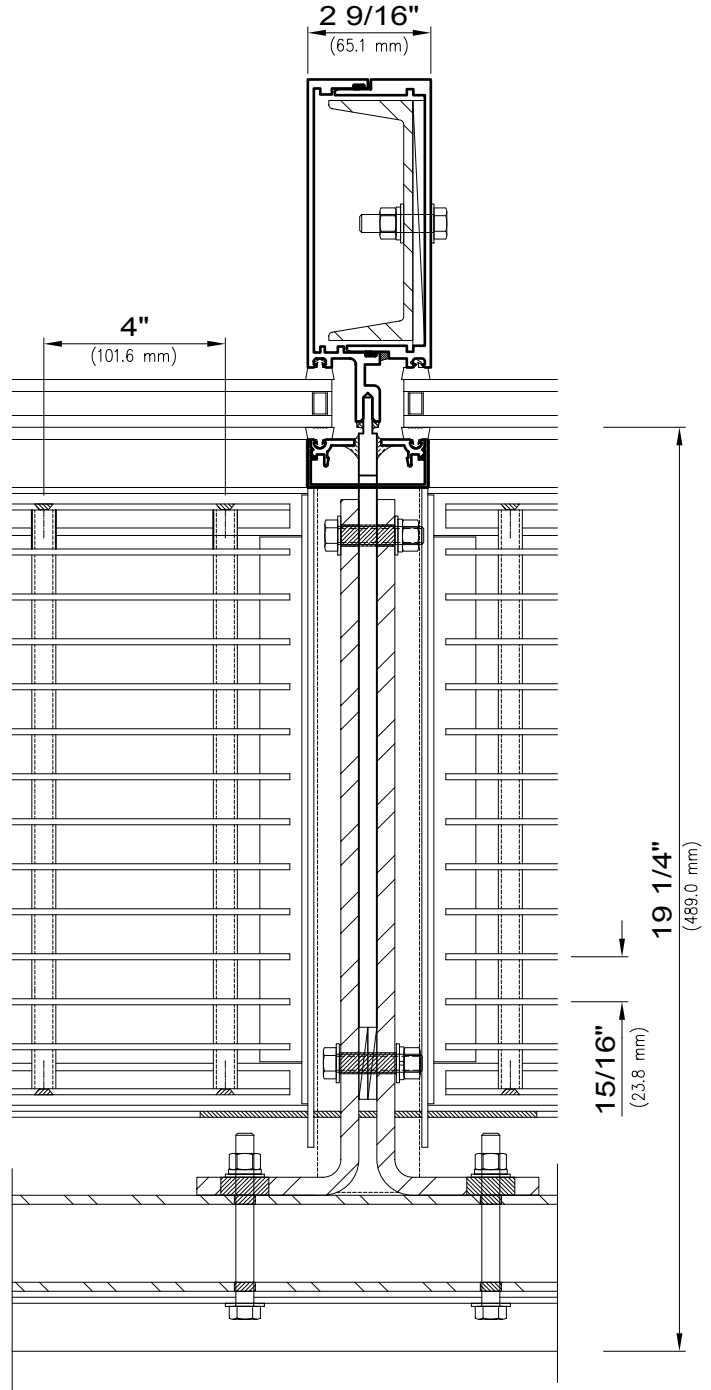
Non-stocked items shown – Minimum order quantity may apply

Custom Aluminum Lattice Sunshades



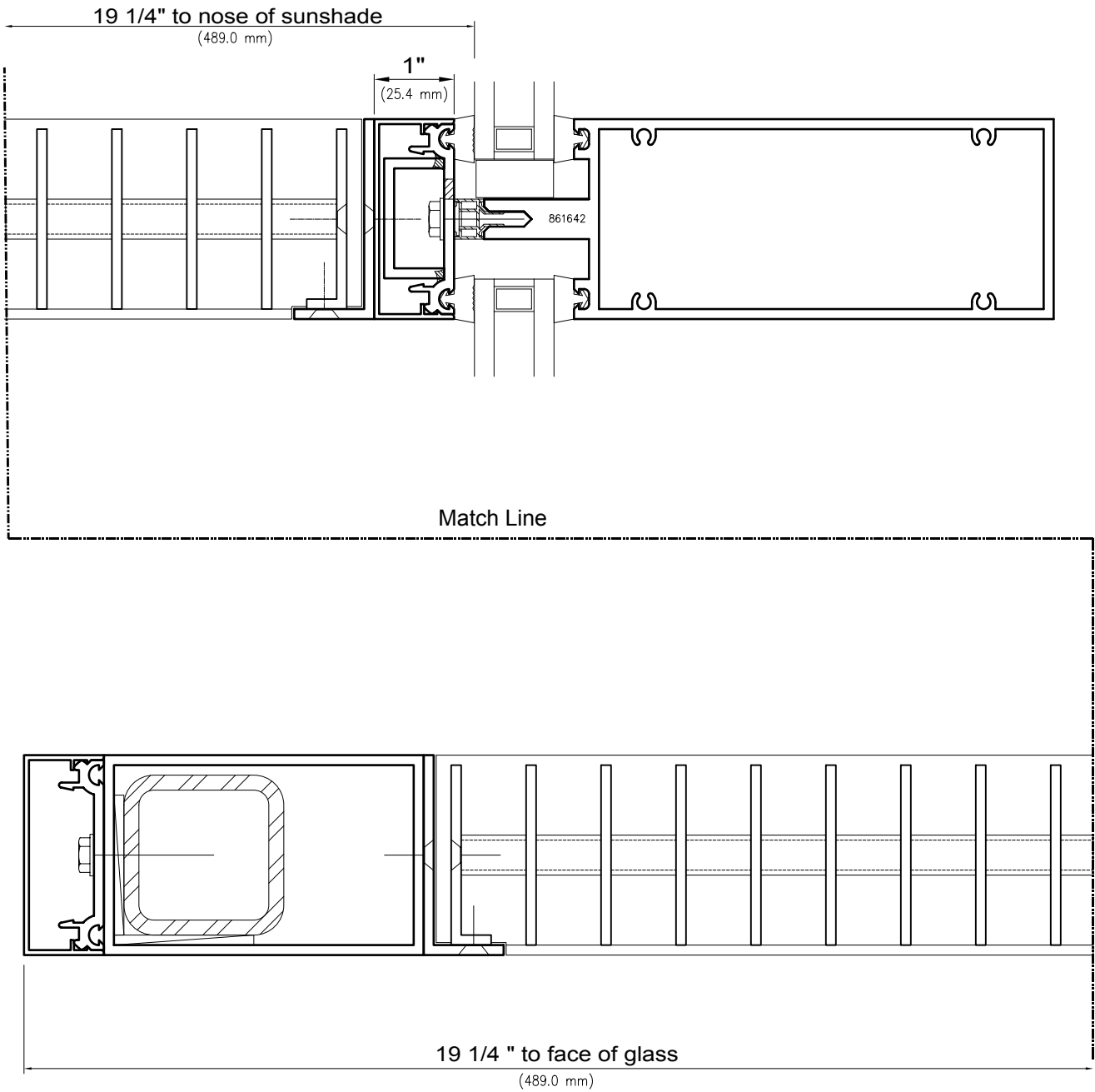
1 Plan Detail
(Quarter Size)

12 5/16" Grid Depth
(312.7 mm)



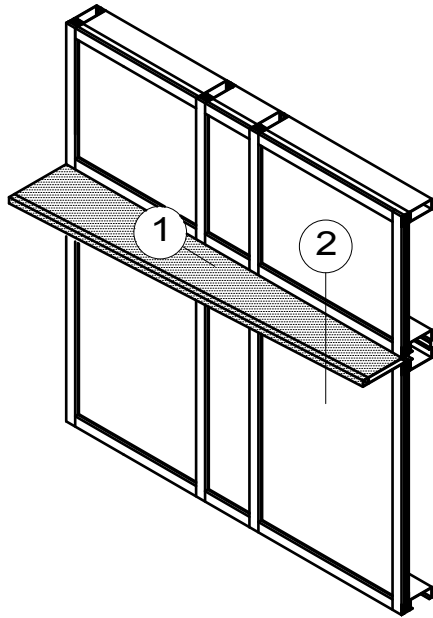


2 Sunshade Section





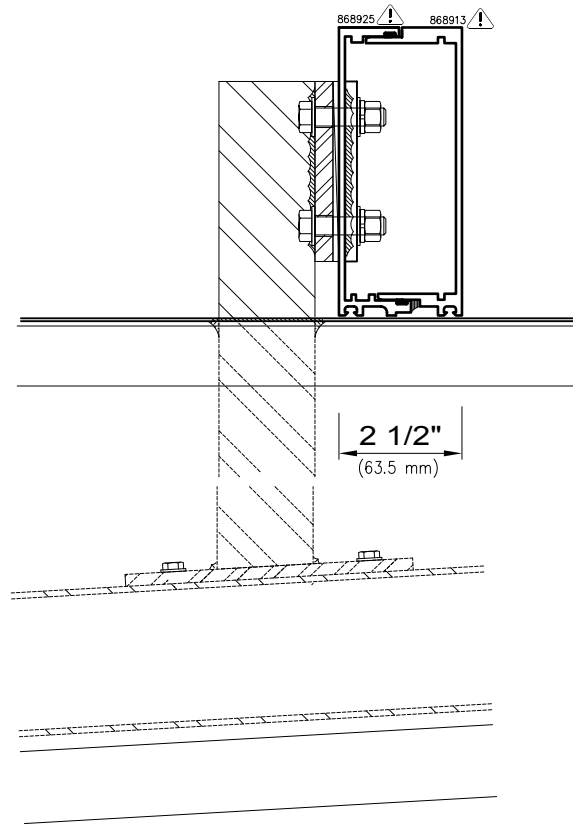
Non-stocked items shown – Minimum order quantity may apply



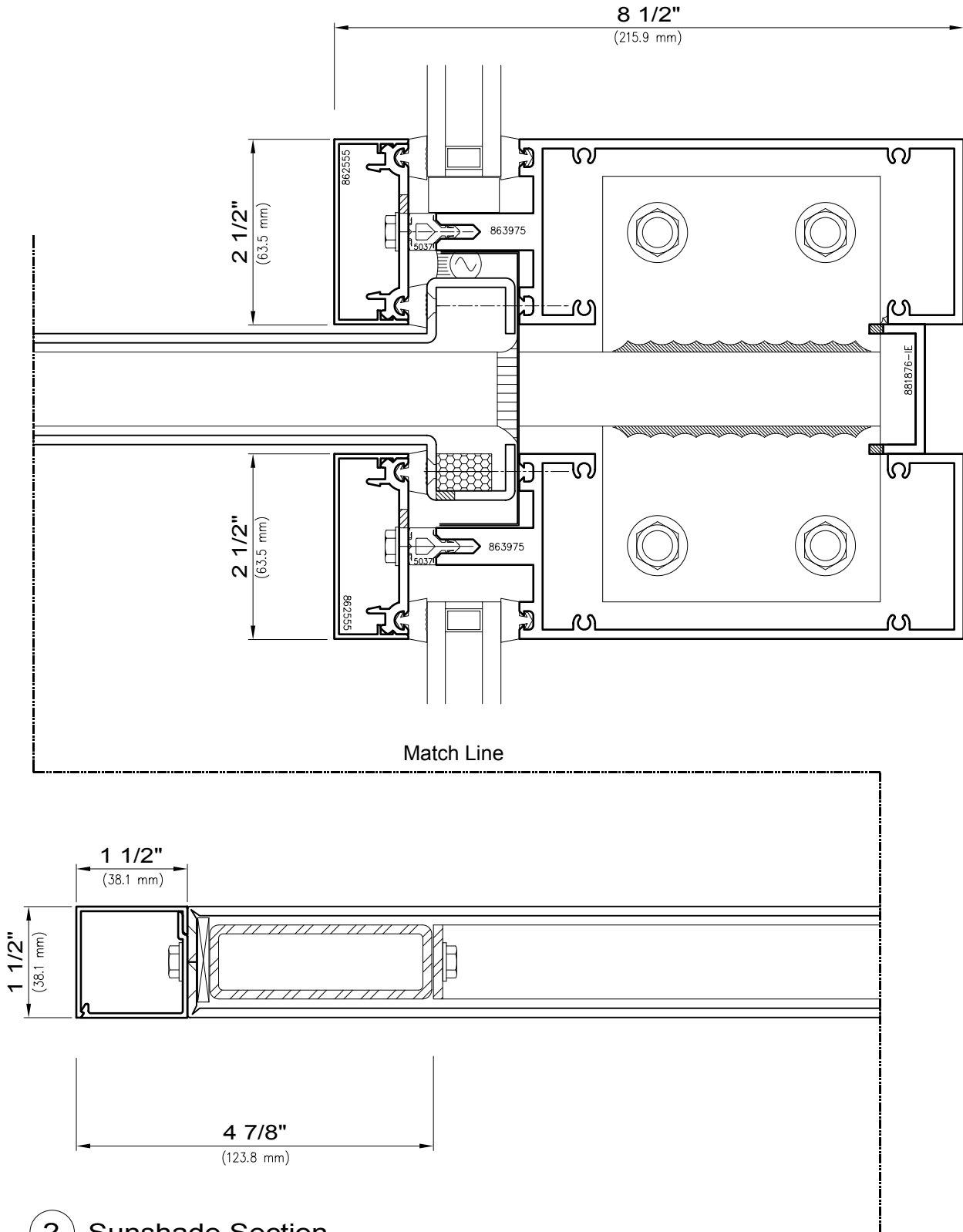
Variable Depth
Glazed-In Sunshade

1 Plan Detail
(Quarter Size)

Varies (7 1/2" to 21")
(190.5 mm – 533.4 mm)



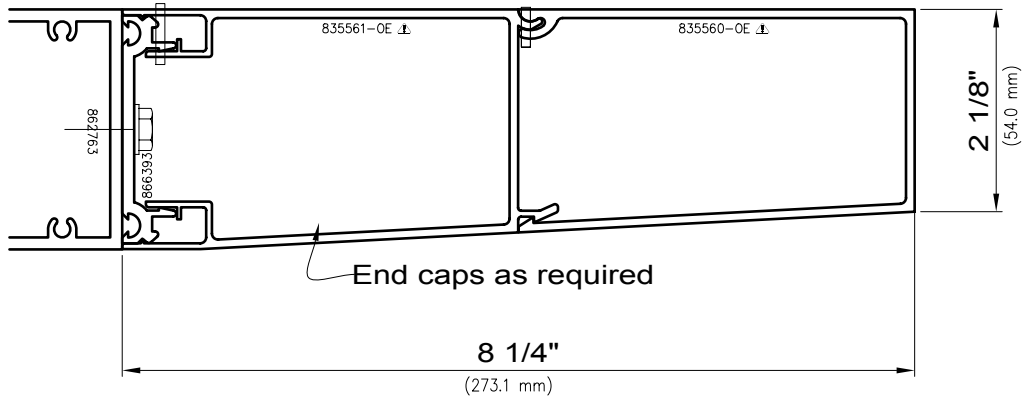
⚠ – OBSOLETE TOOLING STATUS



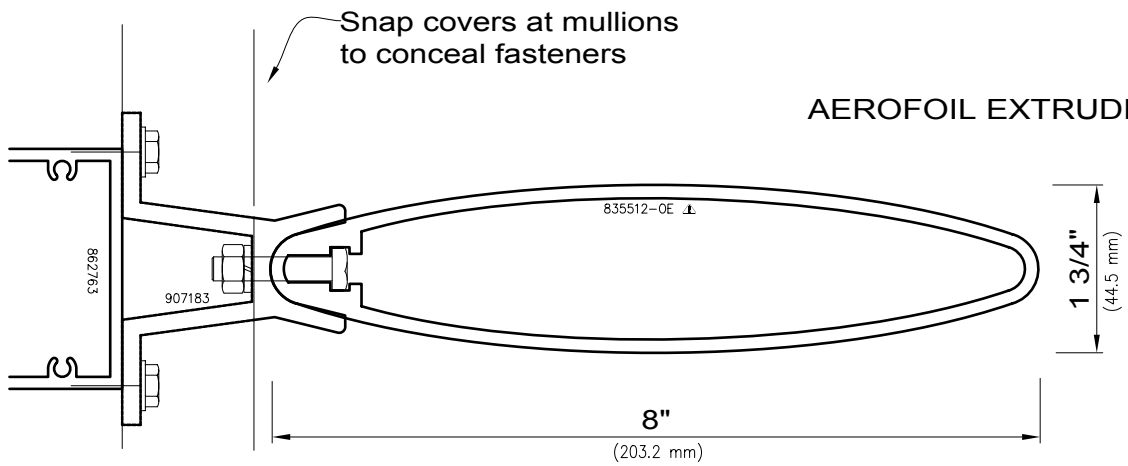
2 Sunshade Section

Non-stocked items shown – Minimum order quantity may apply

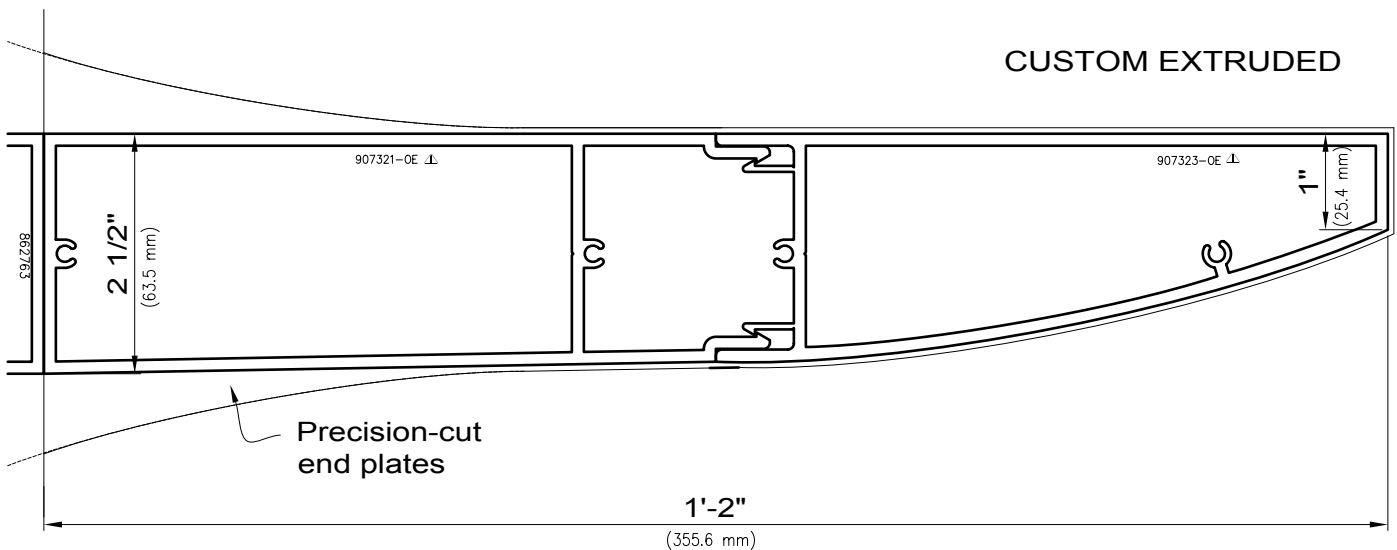
RECTILINEAR EXTRUDED



AEROFOIL EXTRUDED



CUSTOM EXTRUDED

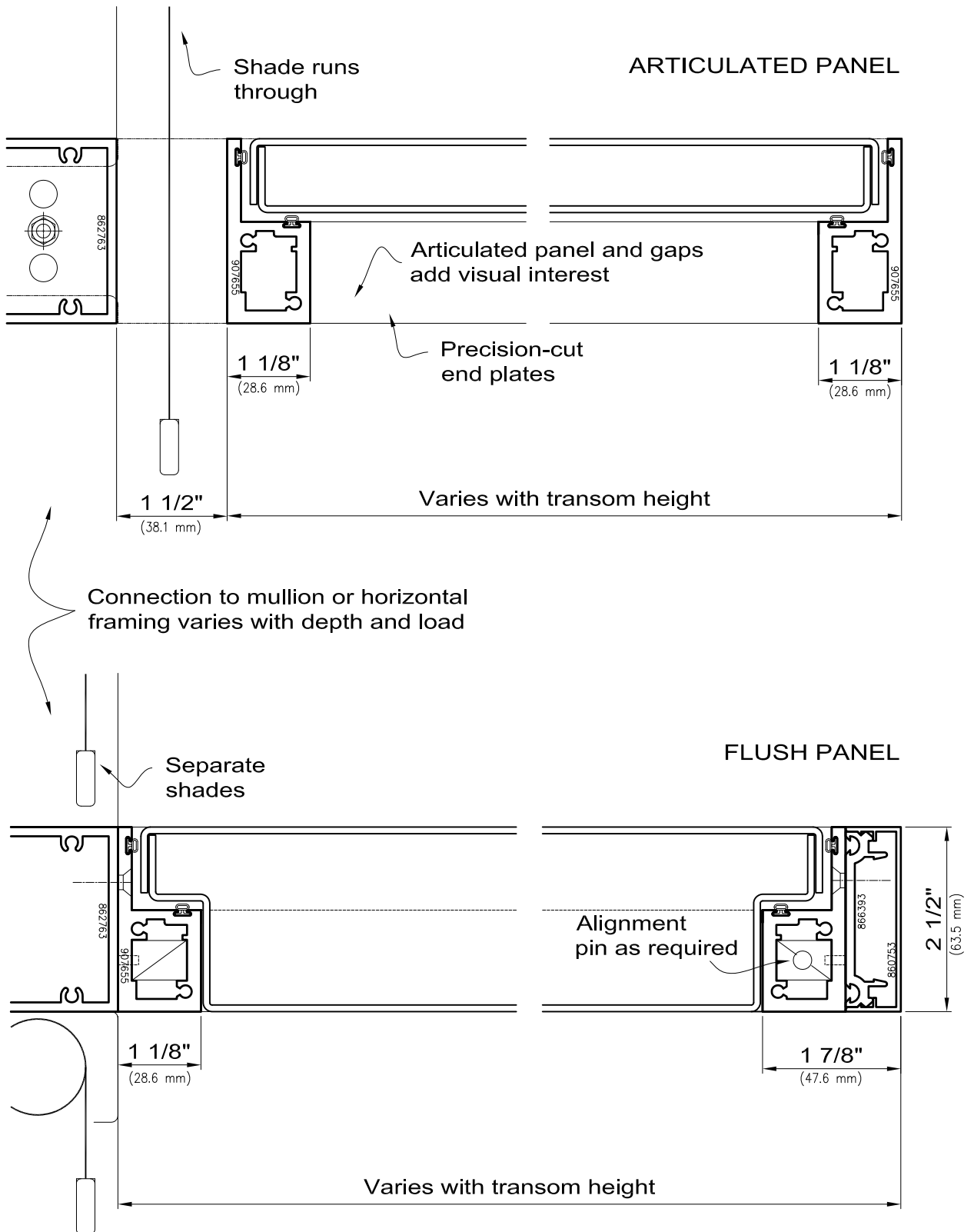


⚠ - OBSOLETE TOOLING STATUS

Curtainwall

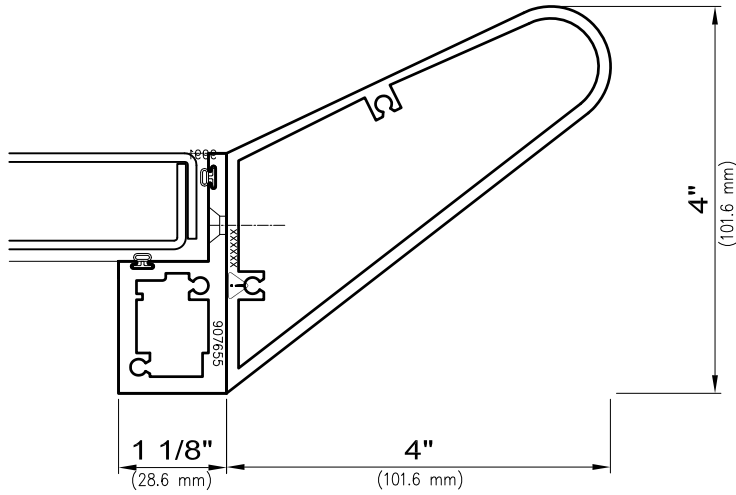
SUN CONTROL

Non-stocked items shown – Minimum order quantity may apply



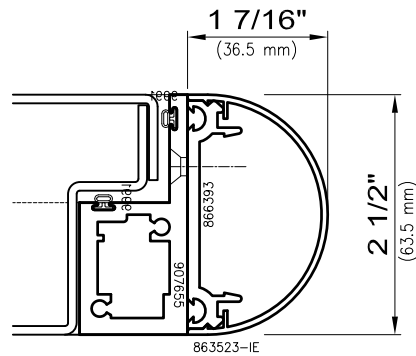
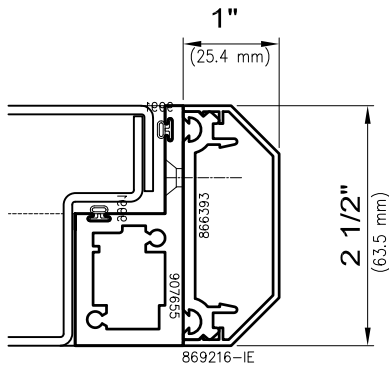


Non-stocked items shown – Minimum order quantity may apply

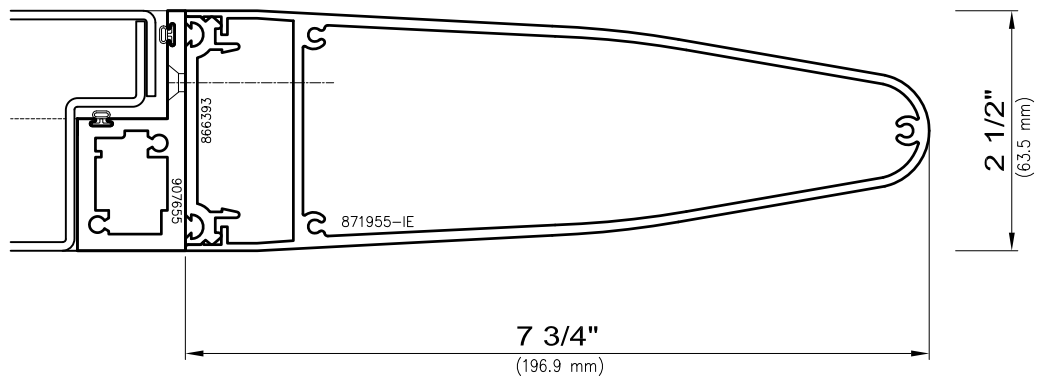


GLARE-LIMITING EDGE TRIM

Glare-limiting edge reduces cut-off angle, and discourages use of the light shelf for storage - Up to 90 minutes more glare-free performance at 40 degN latitude



OPTIONAL INTERIOR EDGE TRIM



⚠ - OBSOLETE TOOLING STATUS