



WAUSAU

WINDOW AND WALL
SYSTEMS

Window Wall Elevation

Architectural Windows

Window Wall - 4250i-XLT INvent Retro™ Series

Elevation Viewed From The Exterior

Section Contents

Page(s)

Details

P20d-2 thru P20d-4

Posts and Stacks

P20d-5 thru P20d-7

Glazing Options

P20d-8 and P20d-9

Profile Options

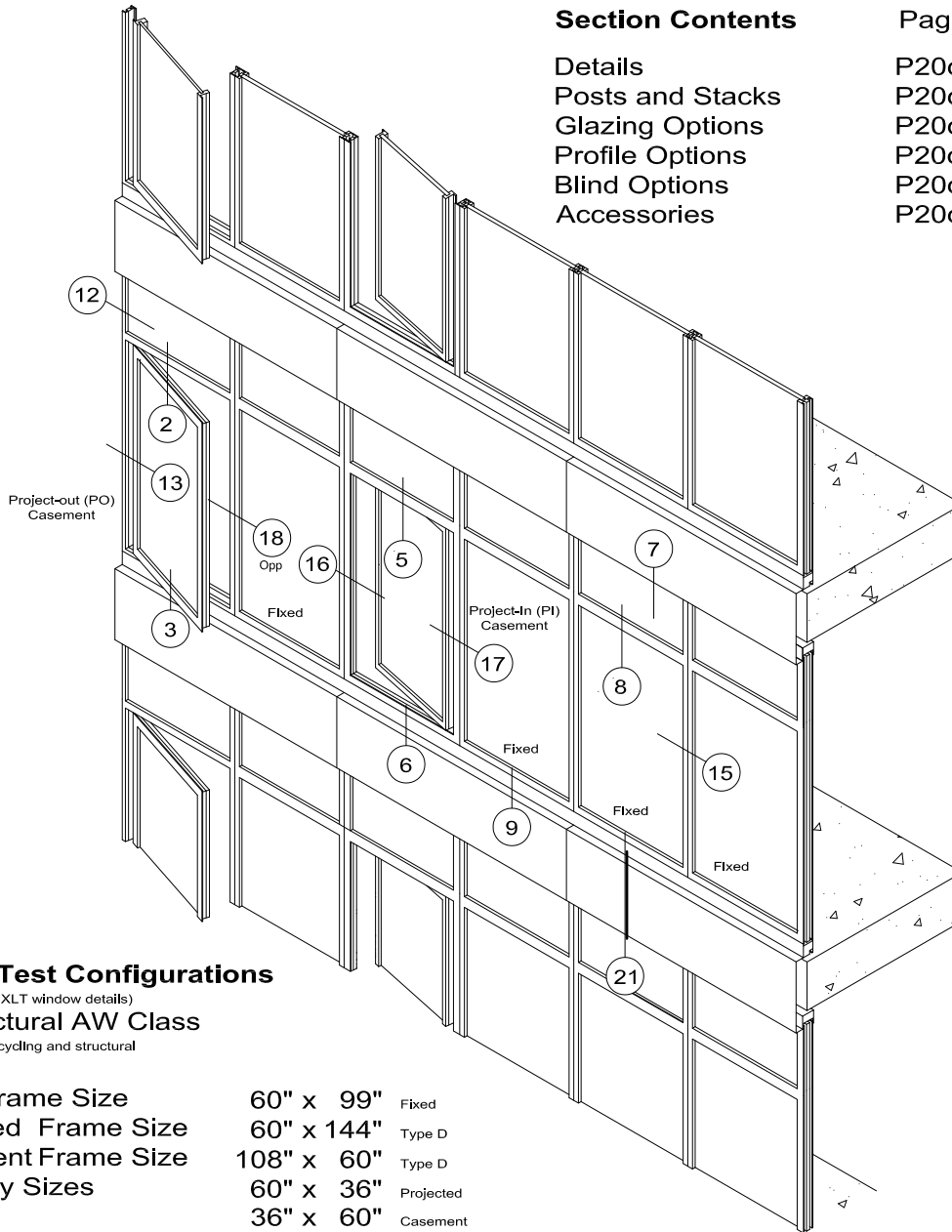
P20d-10

Blind Options

P20d-11 and P20d-12

Accessories

P20d-13 thru P20d-18



AAMA Test Configurations

(Refer to 4250i-XLT window details)

Architectural AW Class

For air, water, cycling and structural

Fixed Frame Size	60" x 99"	Fixed
Projected Frame Size	60" x 144"	Type D
Casement Frame Size	108" x 60"	Type D
Gateway Sizes	60" x 36"	Projected
	36" x 60"	Casement

NFRC 100 Thermal Test Configurations

(Refer to 4250i-XLT window details)

For U-Factor, SHGC and CR

Fixed Frame Size	47" x 59"
Projected Frame Size	59" x 24"
Casement Frame Size	24" x 59"

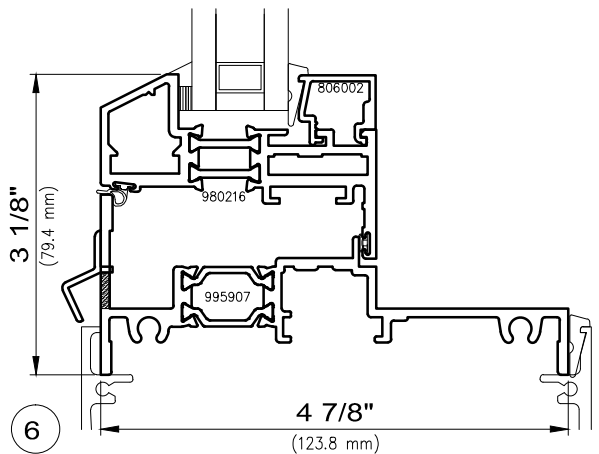
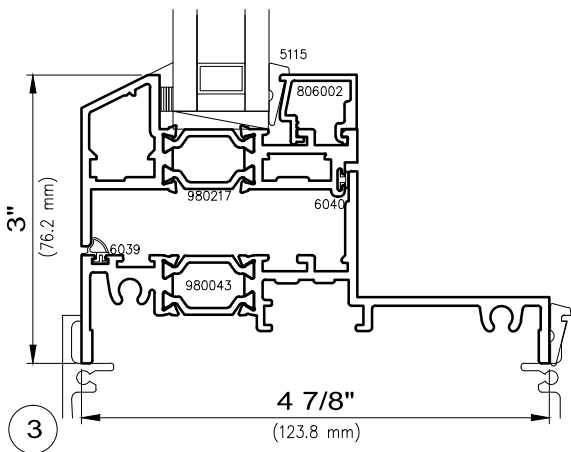
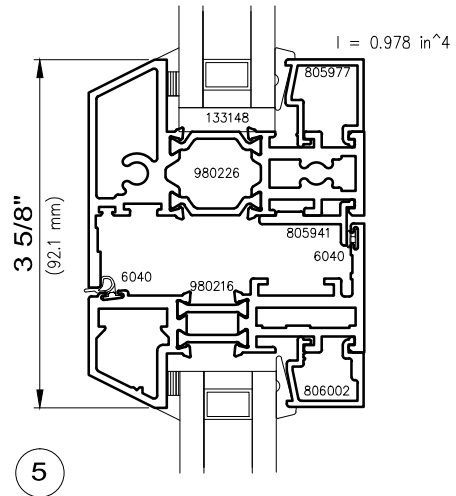
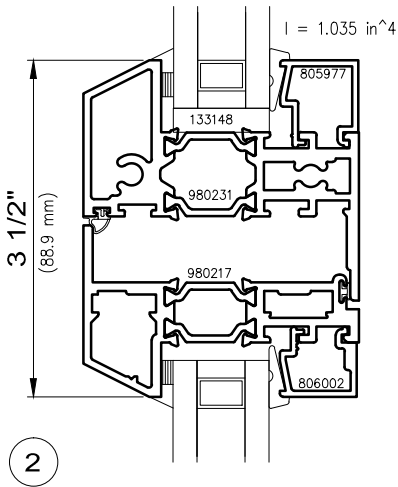
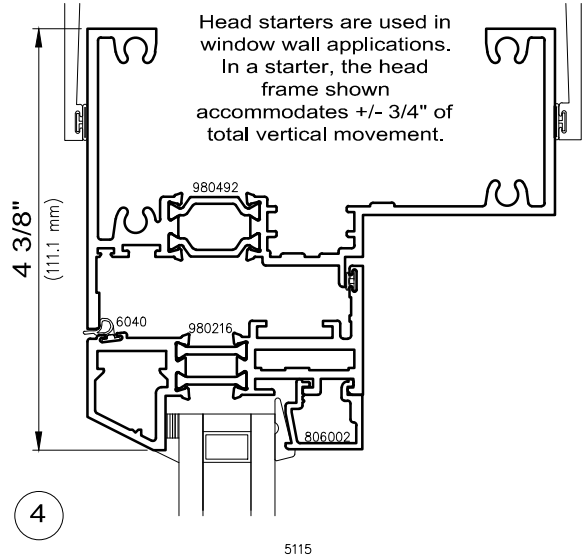
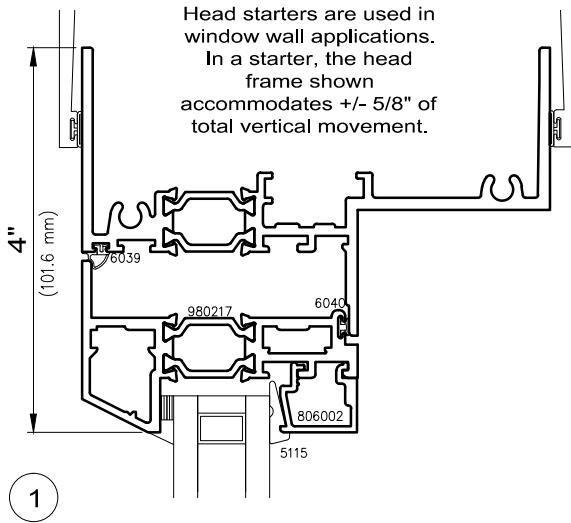
4250i-XLT INvent Retro Window Wall

Contact A Wausau Representative For Other Possible Configurations



Architectural Windows

Window Wall - 4250i-XLT INvent Retro™ Series



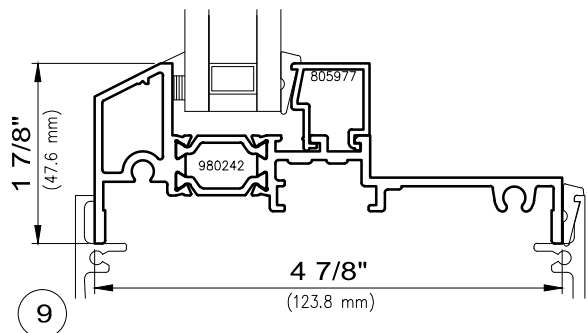
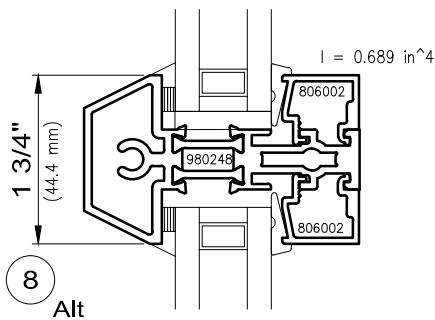
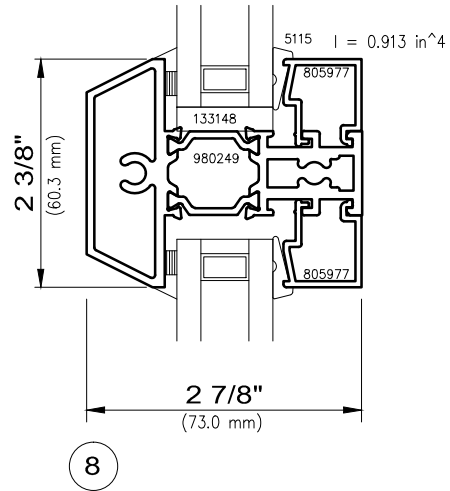
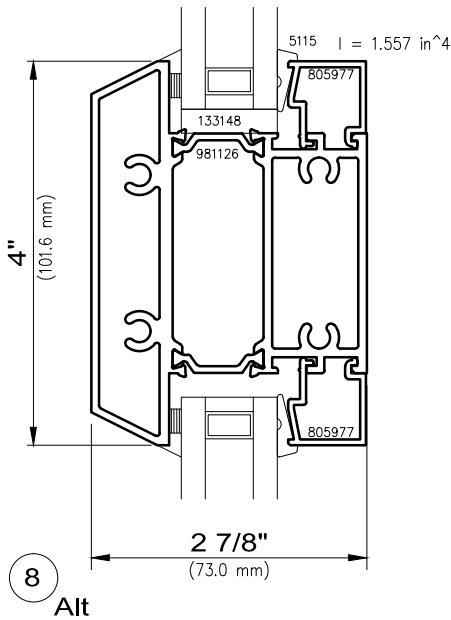
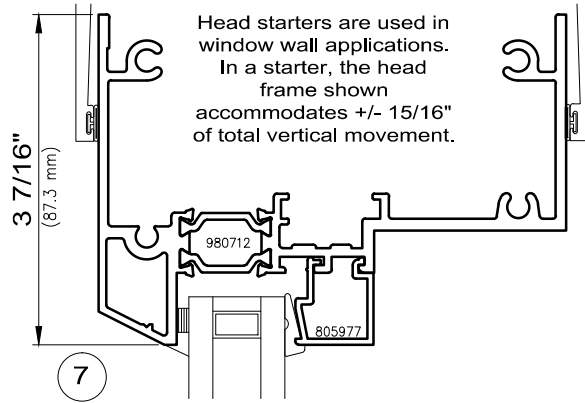
Beveled Profile

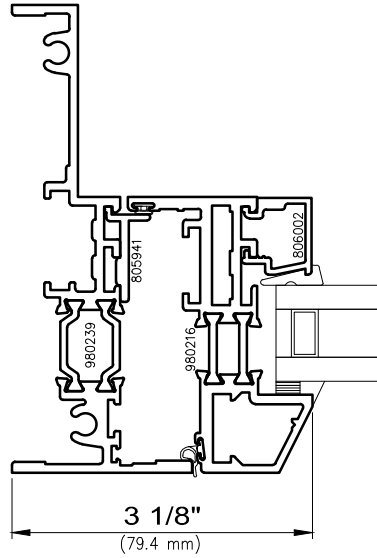
See Page 9A for other profile options



Architectural Windows

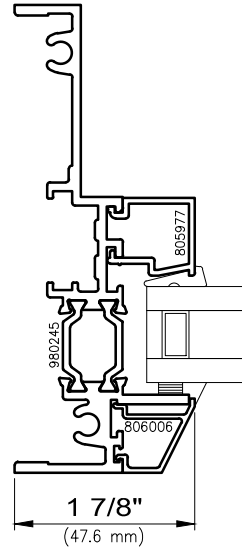
Window Wall - 4250i-XLT INvent Retro™ Series





10

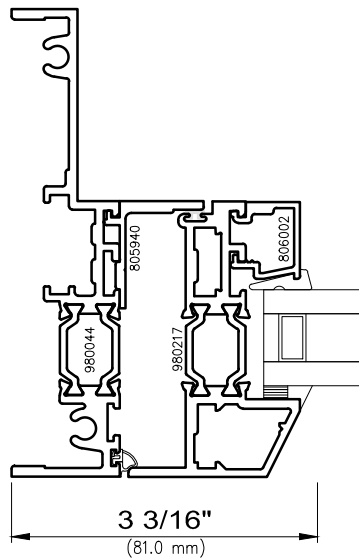
PI Jamb



12

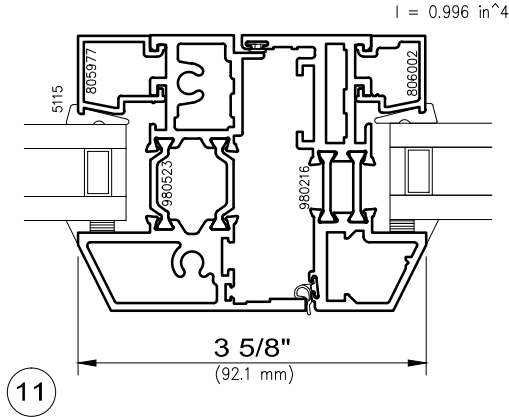
Fixed Jamb

When used with optional jamb starters, the jamb frames shown on this page accommodate +/- 1/8" of total horizontal tolerance and movement.

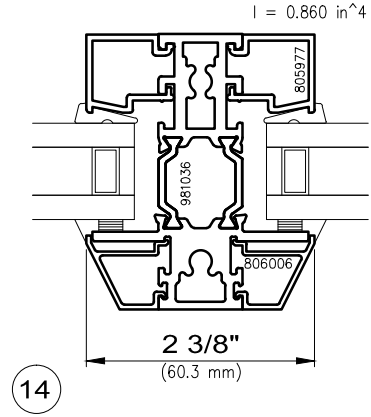


13

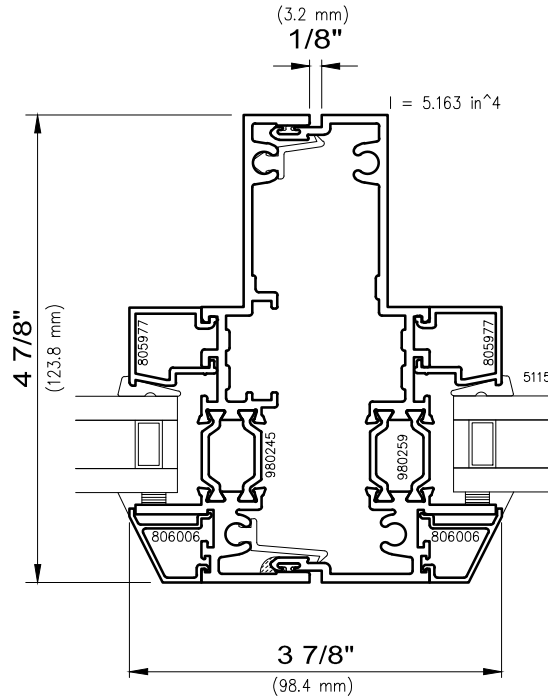
PO Jamb



Fixed/PI Post



Fixed / Fixed Post



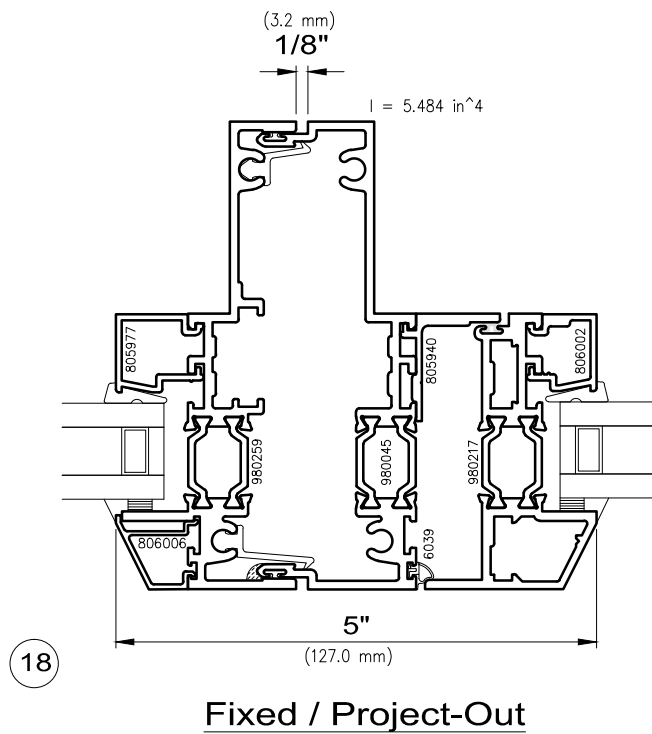
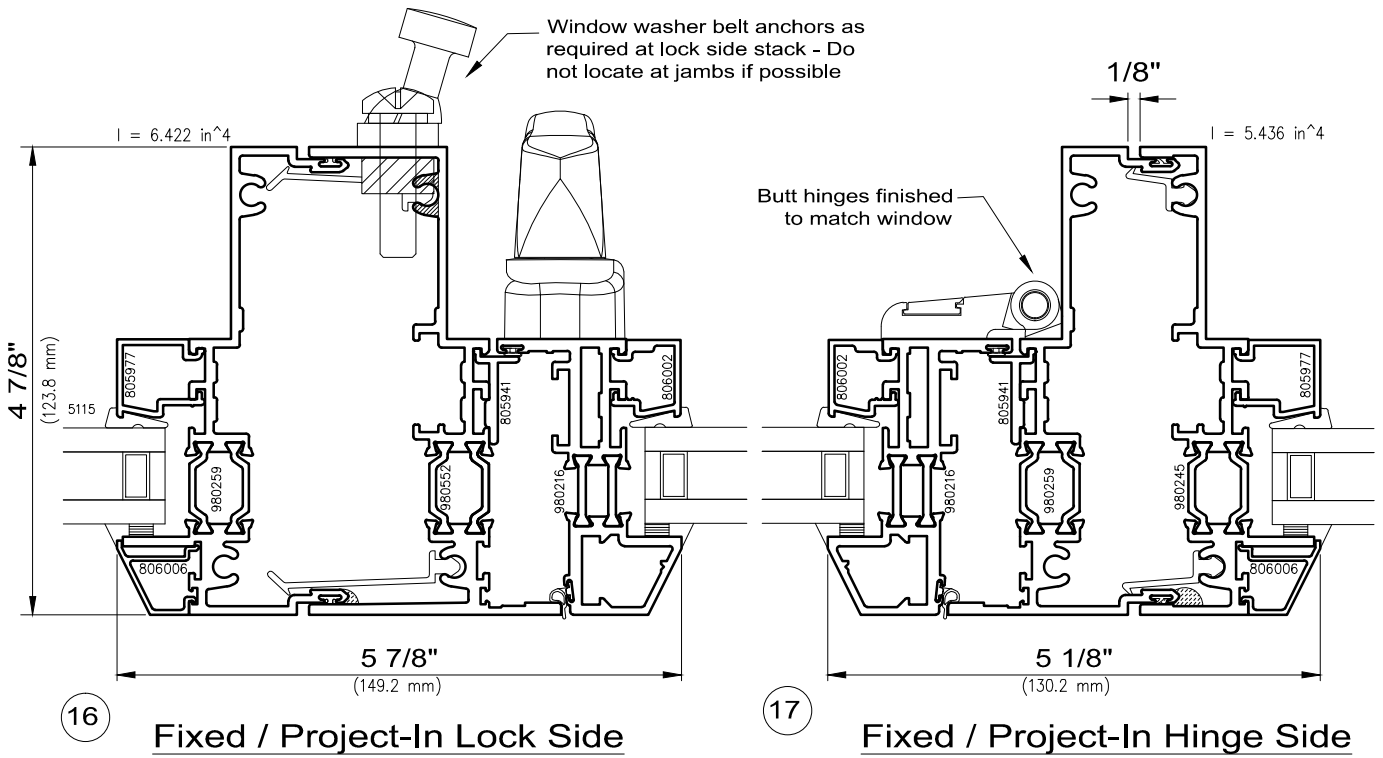
Fixed / Fixed Stack

I-values indicated are for frame members only.
Thermal barrier shear reduction of 10% included.



Architectural Windows

Window Wall - 4250i-XLT INvent™ Series

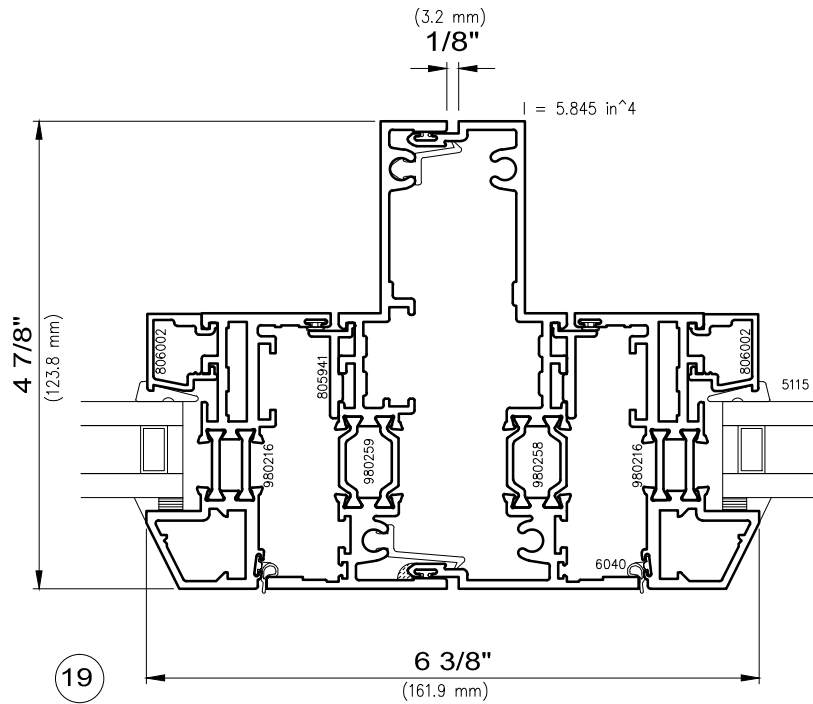


I-values indicated are for frame members only.
Thermal barrier shear reduction of 10% included.

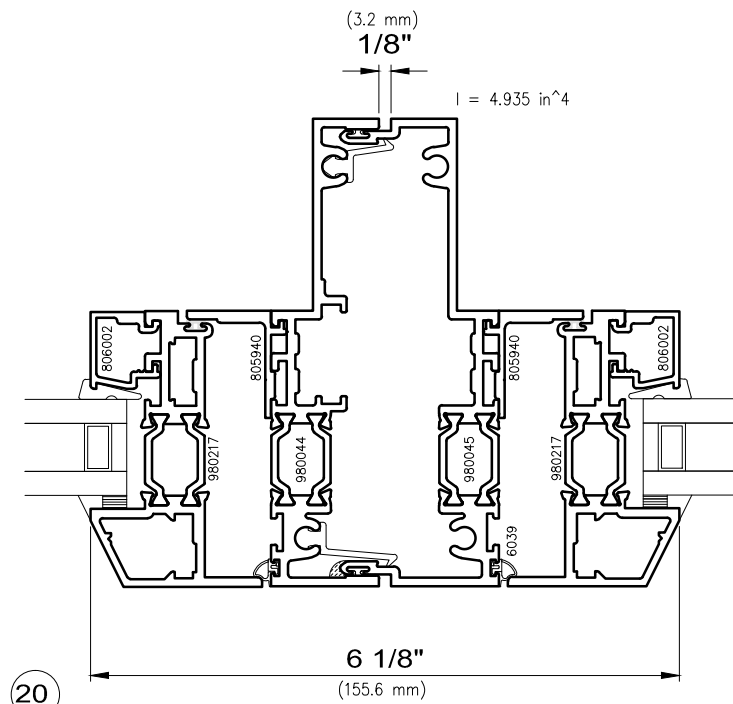


Architectural Windows

Window Wall - 4250i-XLT INvent Retro™ Series



Project-In Vent / Project-In Vent



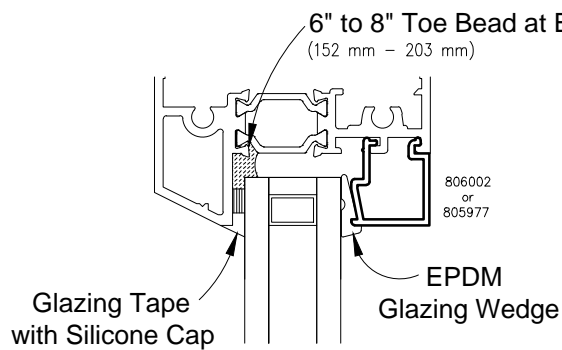
Project-Out Vent / Project-Out Vent

I-values indicated are for frame members only.
Thermal barrier shear reduction of 10% included.

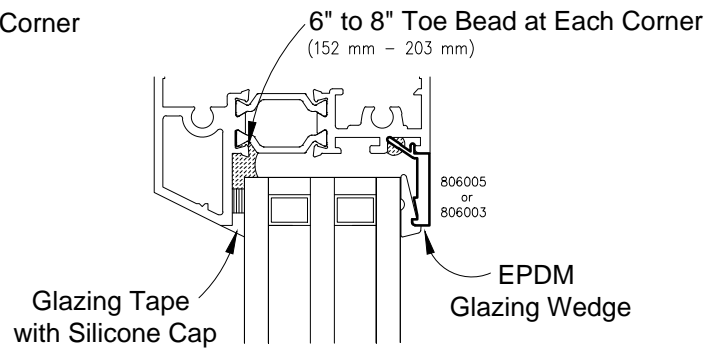


Architectural Windows

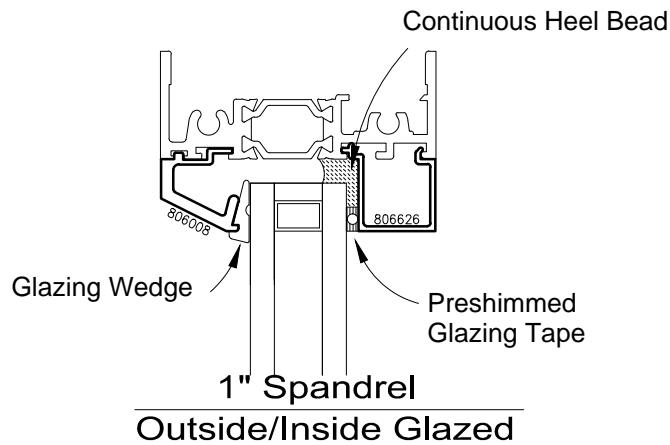
Window Wall - 4250i-XLT INvent Retro™ Series



1" Insulating Glass
Inside Glazed



1 5/8" Triple Insulating Glass
Inside Glazed

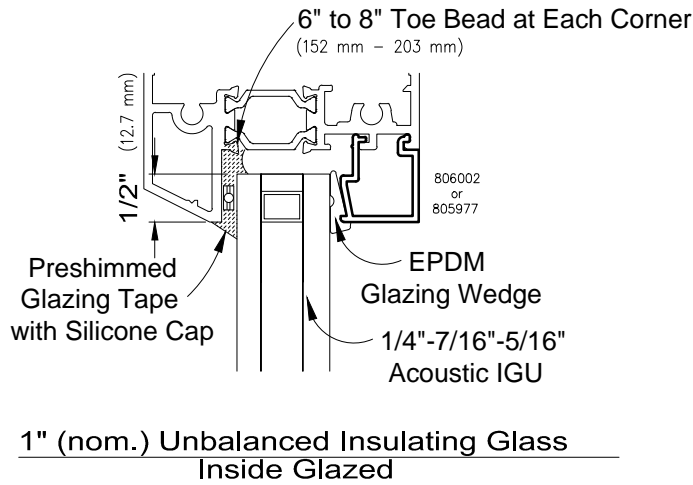


Units with 3/8 of an inch glass bite are limited to 25 square feet
(i.e. Sash, True Divided Lite, etc.)

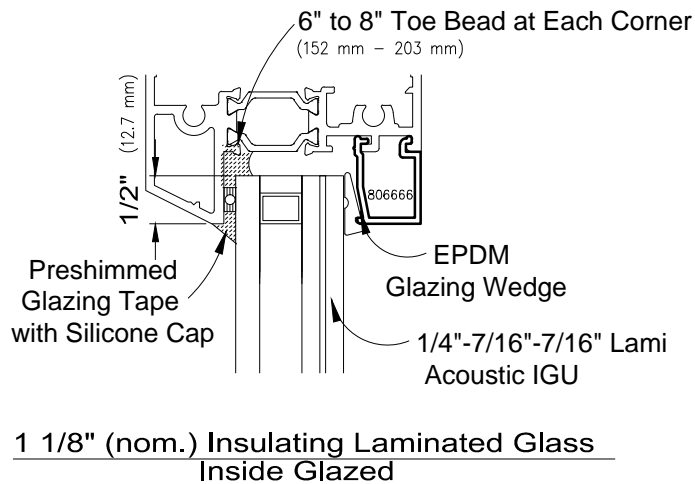


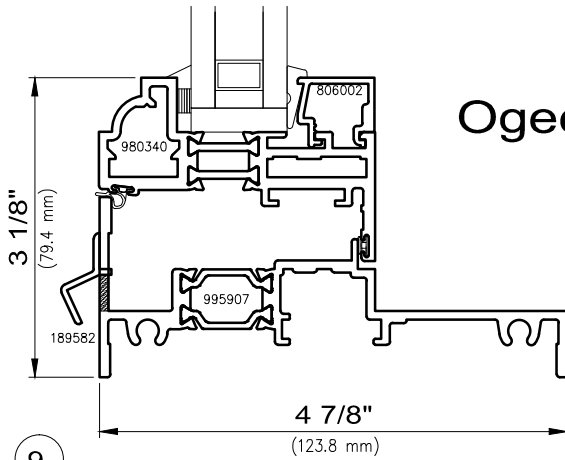
Architectural Windows

Window Wall - 4250i-XLT INvent Retro™ Series



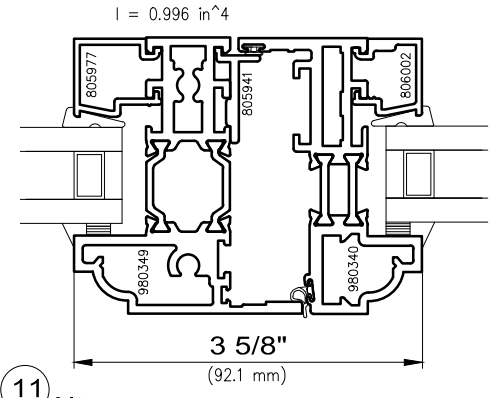
Contact Wausau for acoustic glazing details applicable to the specific requirements of your project



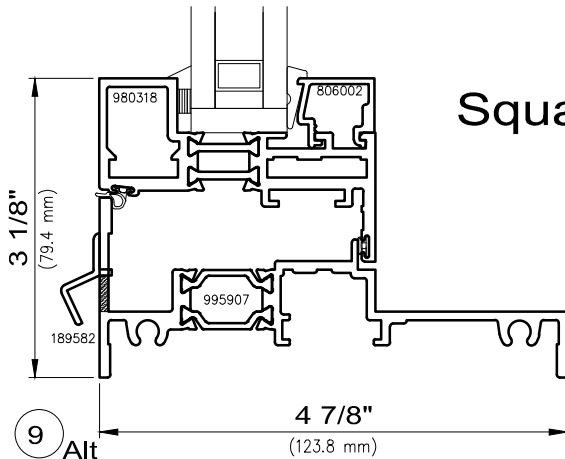


9 Alt

Ogee Profile

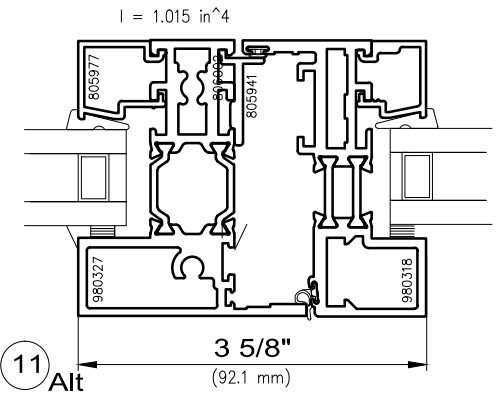


11 Alt

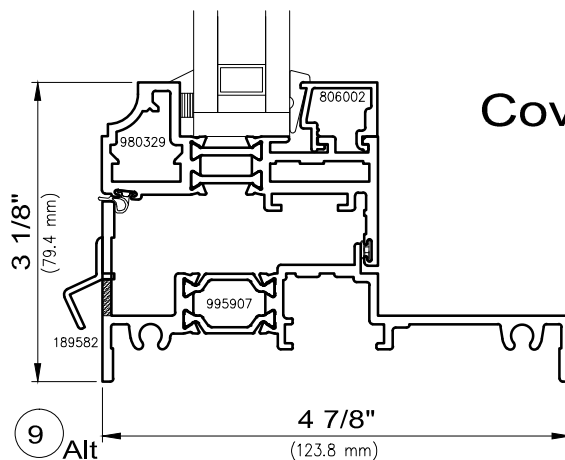


9 Alt

Square Profile

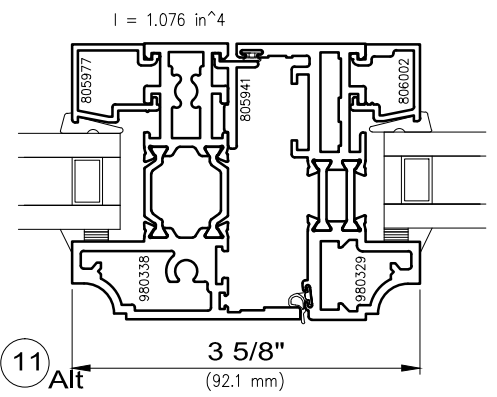


11 Alt



9 Alt

Cove Profile



11 Alt



WAUSAU

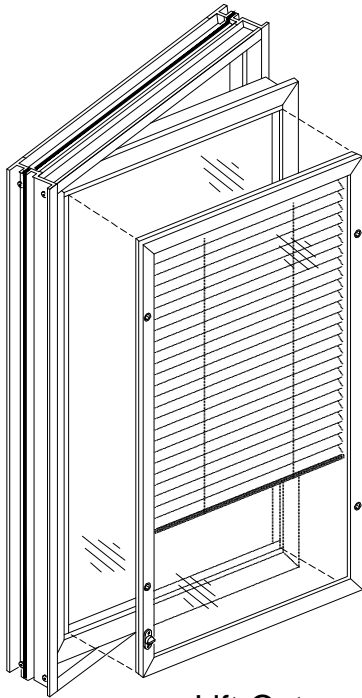
WINDOW AND WALL
SYSTEMS

Blind Options

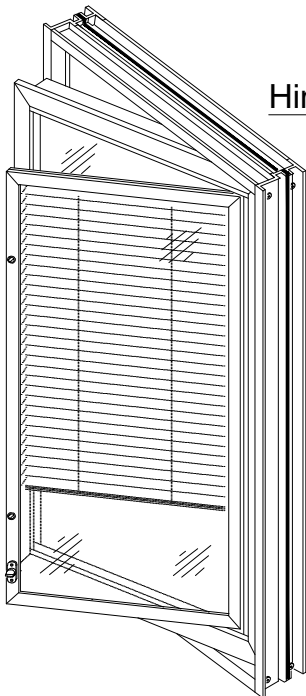
Architectural Windows

Window Wall - 4250i-XLT INvent Retro™ Series

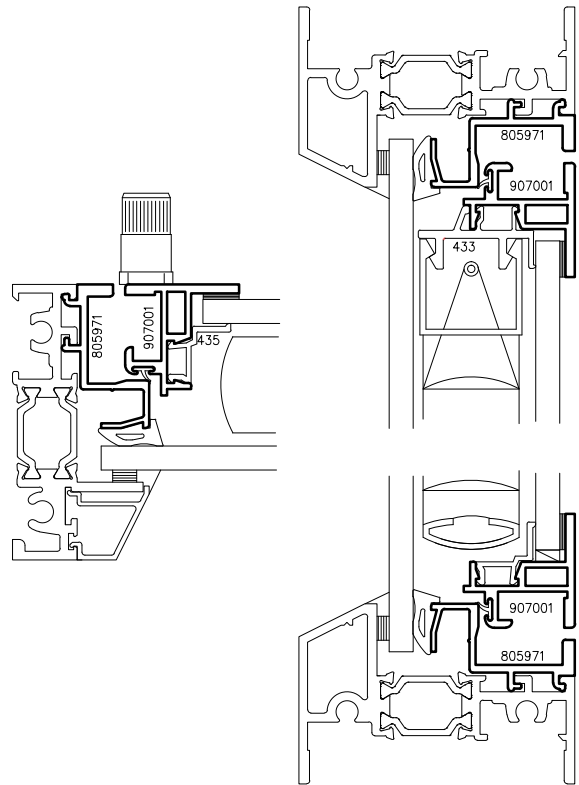
Elevations Shown As Viewed From The Interior



Lift-Out



Hinged



1" Blind/Dual Glazed



WAUSAU

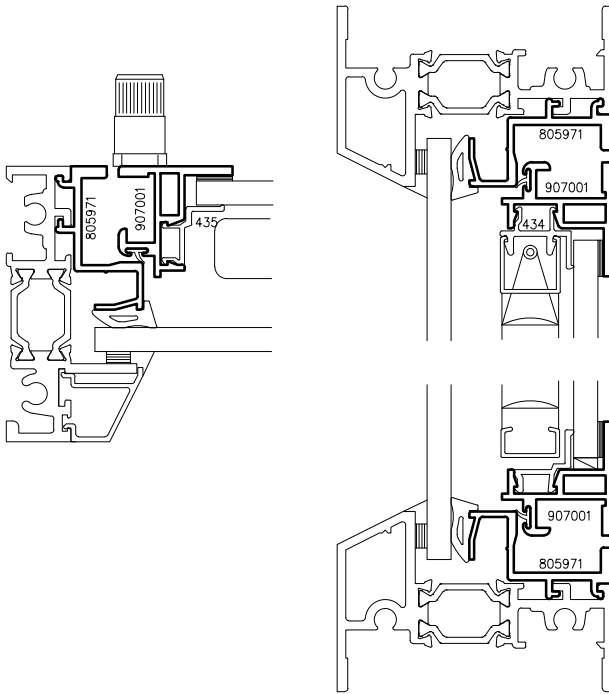
WINDOW AND WALL
SYSTEMS

Blind Options

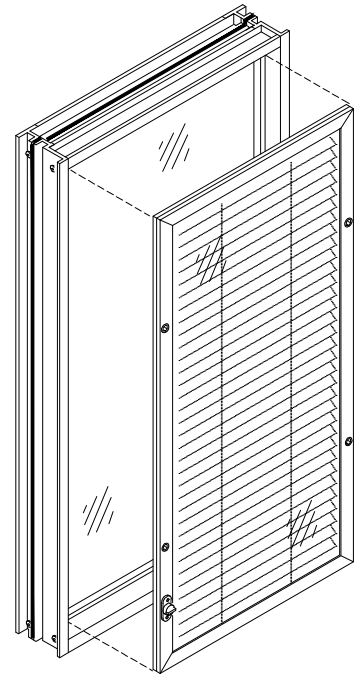
Architectural Windows

Window Wall - 4250i-XLT INvent Retro™ Series

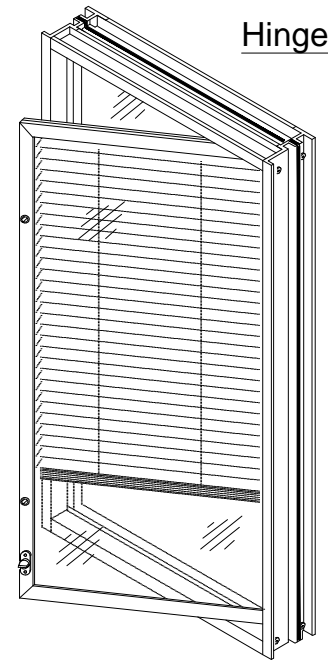
Elevations Shown As Viewed From The Interior



5/8" Blind/Dual Glazed



Lift-Out



Hinged



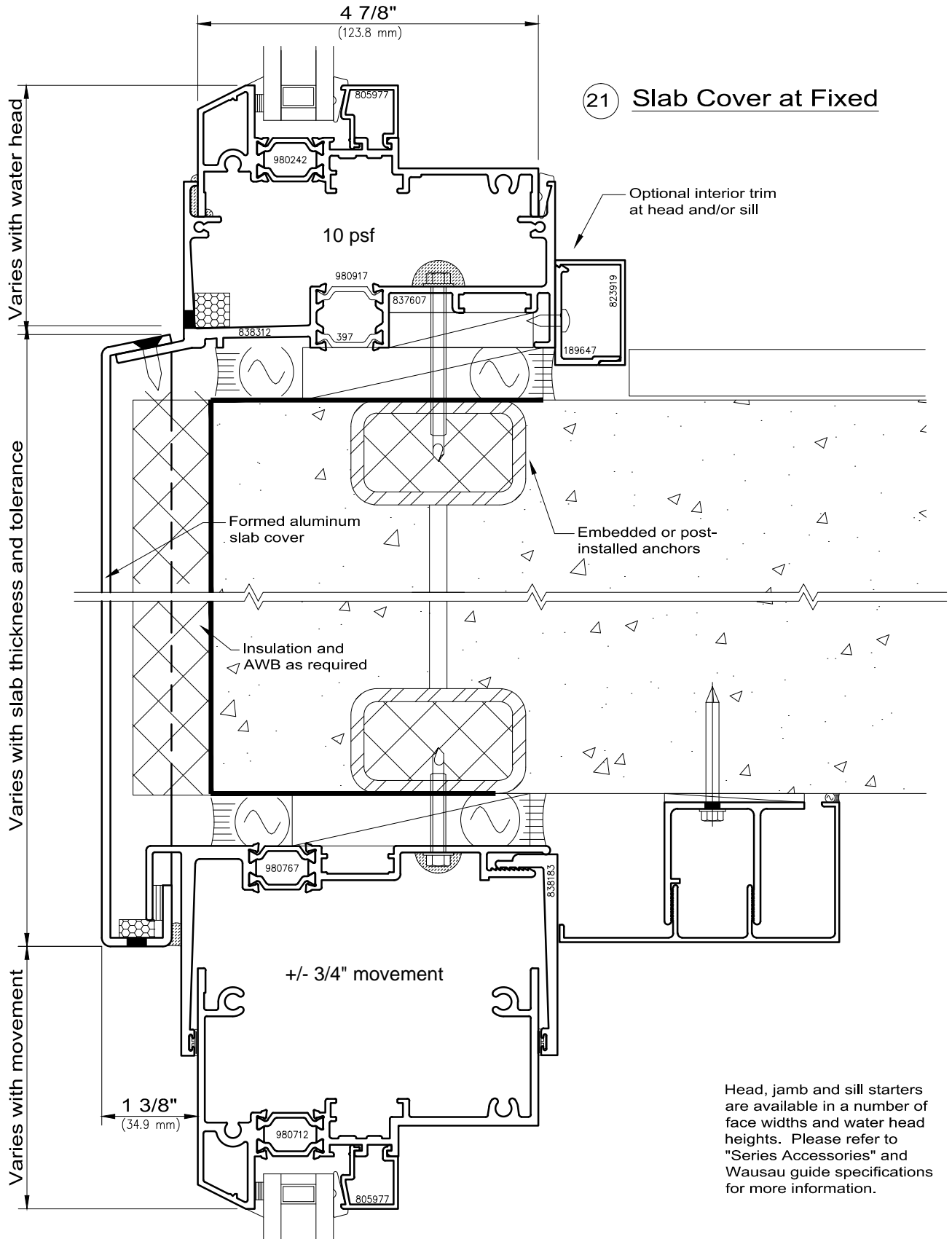
WAUSAU

WINDOW AND WALL
SYSTEMS

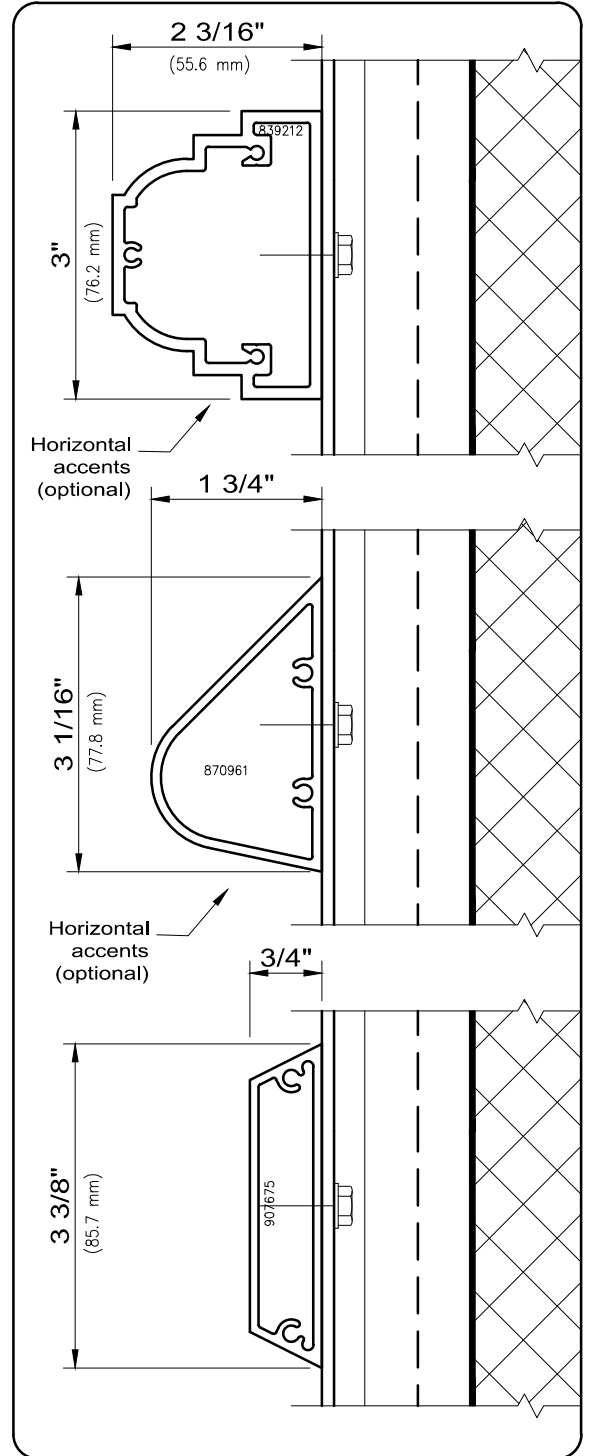
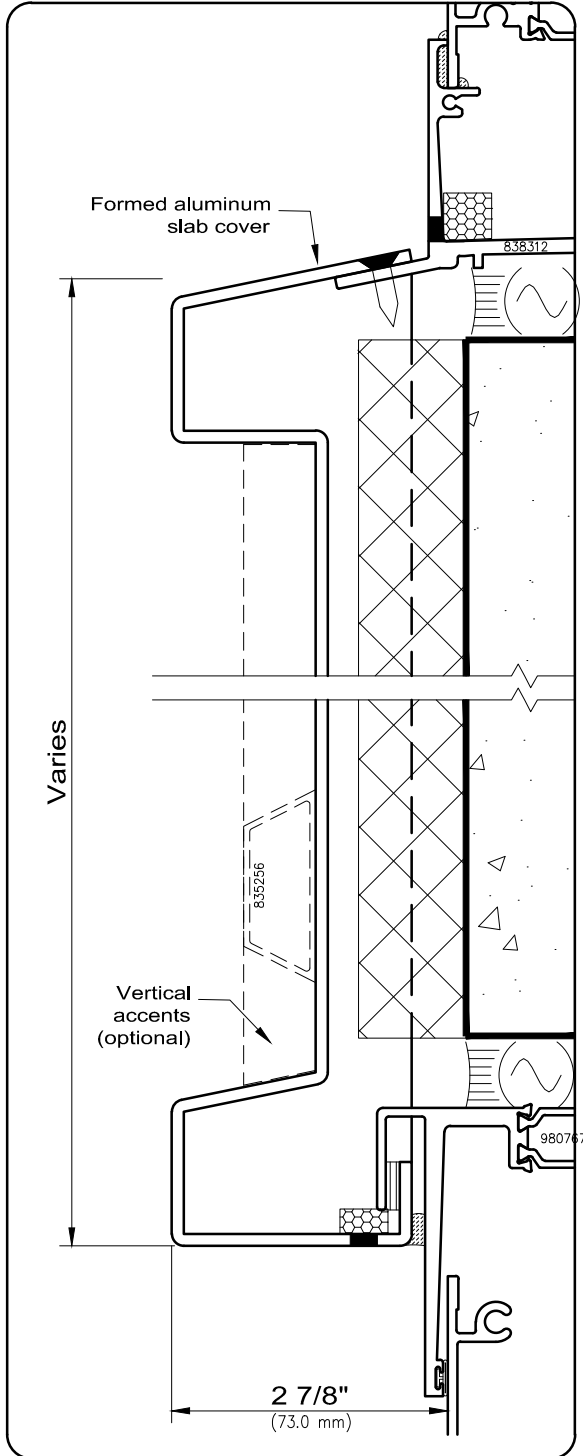
Floor Slab Edge Cover Details

Architectural Windows

Window Wall - 4250i-XLT INvent Retro™ Series



Head, jamb and sill starters are available in a number of face widths and water head heights. Please refer to "Series Accessories" and Wausau guide specifications for more information.



Decorative Slab Cover Options (Examples)



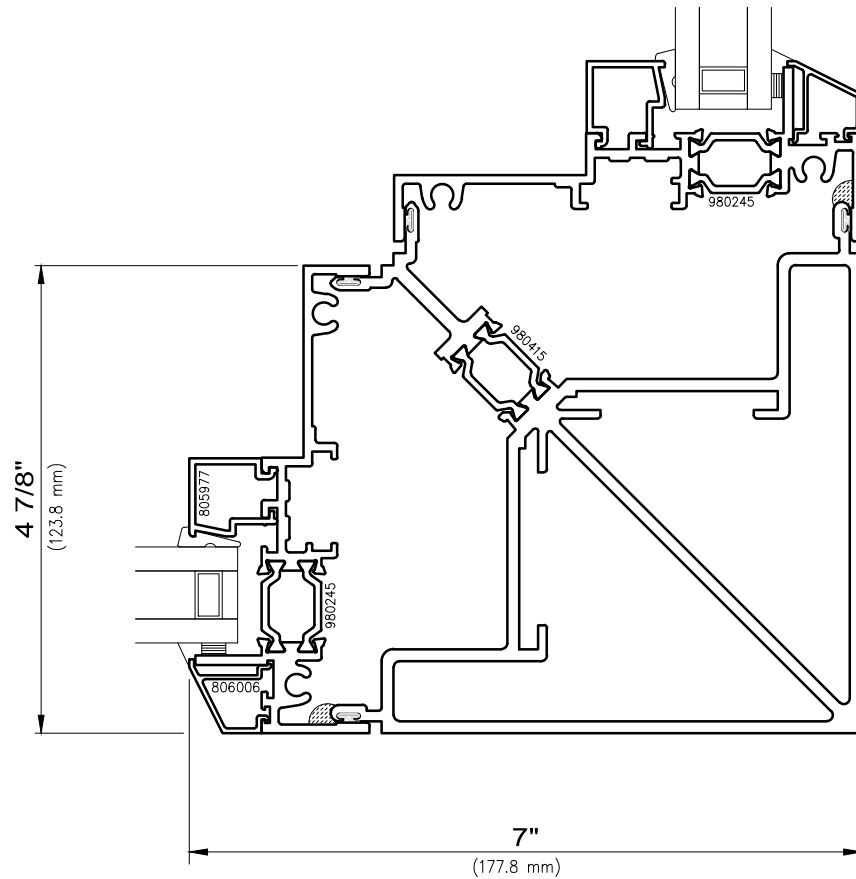
WAUSAU

WINDOW AND WALL
SYSTEMS

Corner Trim

Architectural Windows

Window Wall - 4250i-XLT INvent Retro™ Series

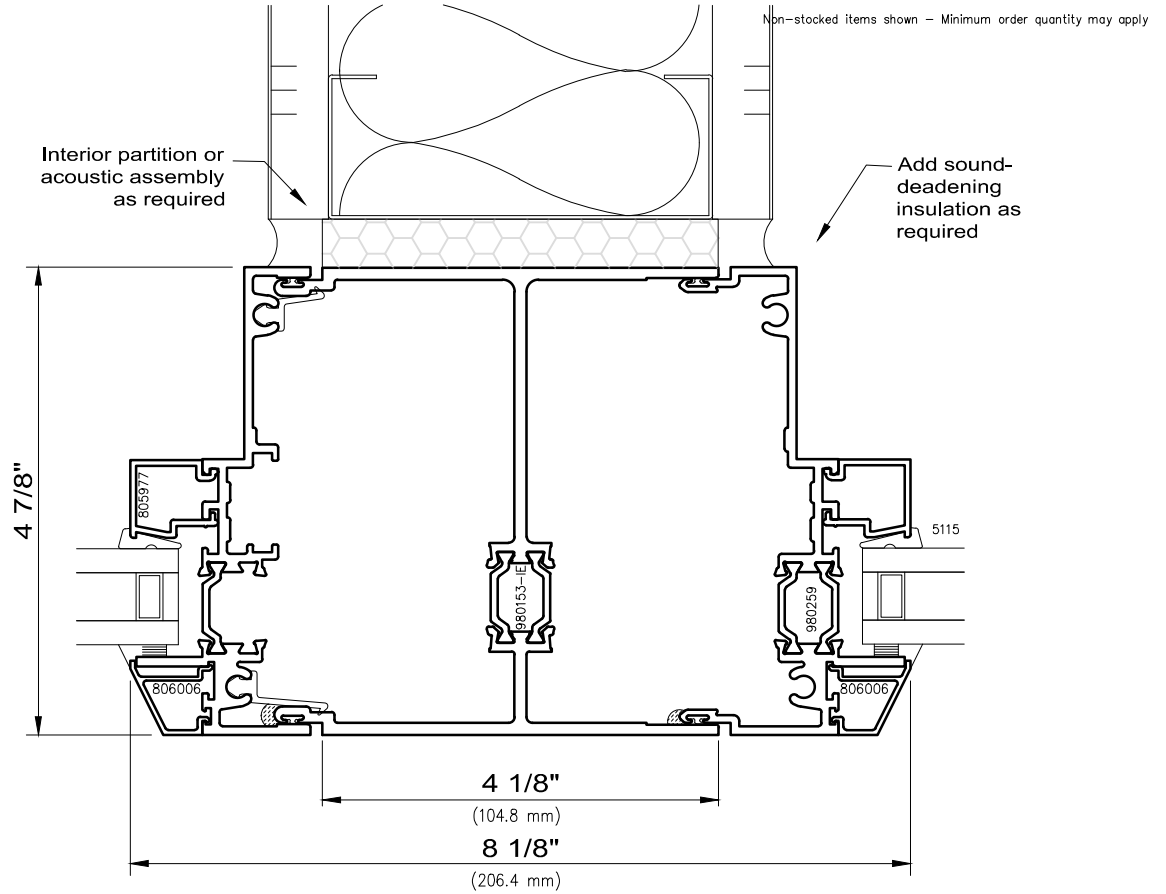


4250i-XLT Outside 90 Degree Corner

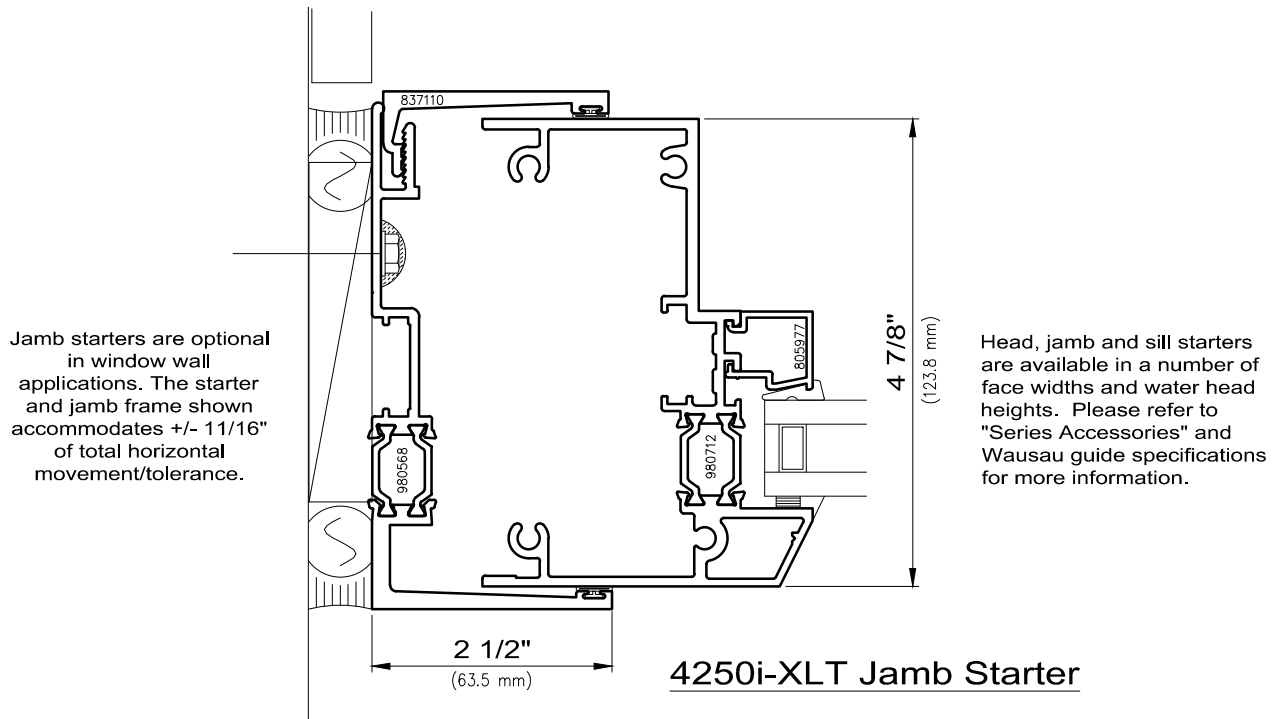


Architectural Windows

Window Wall - 4250i-XLT INvent Retro™ Series



4250i-XLT H-Mullion at Partitions

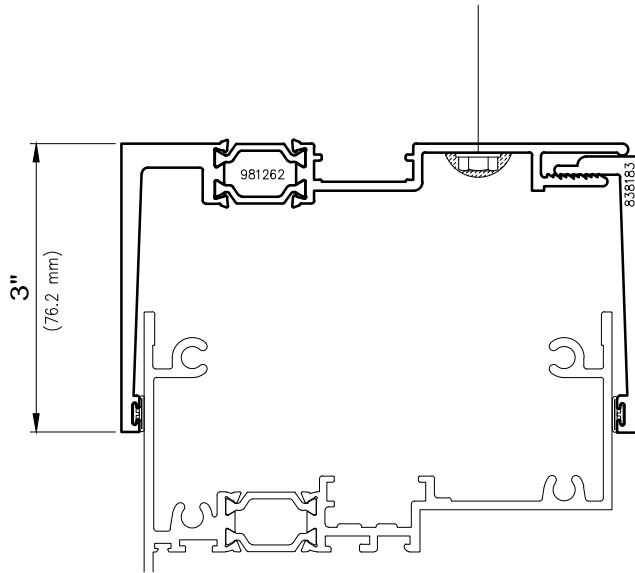


4250i-XLT Jamb Starter

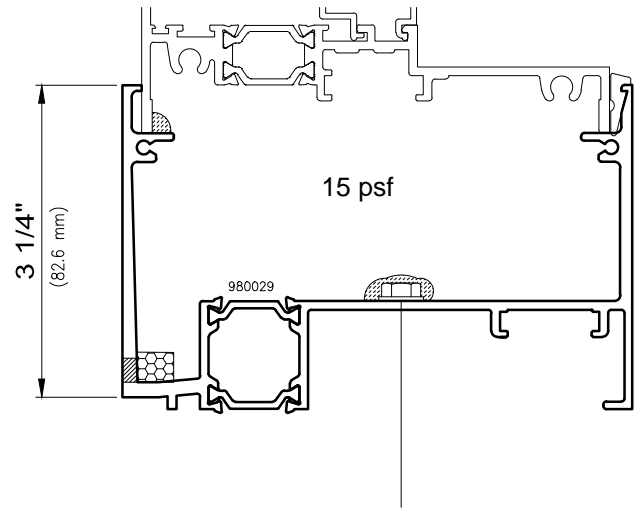


Architectural Windows

Window Wall - 4250i-XLT INvent Retro™ Series

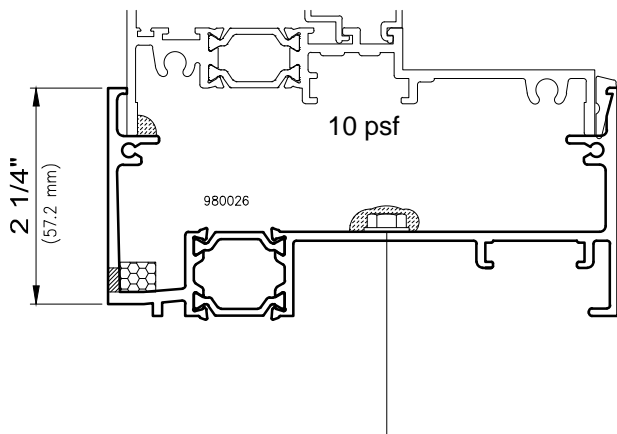


4250i-XLT Head Starter

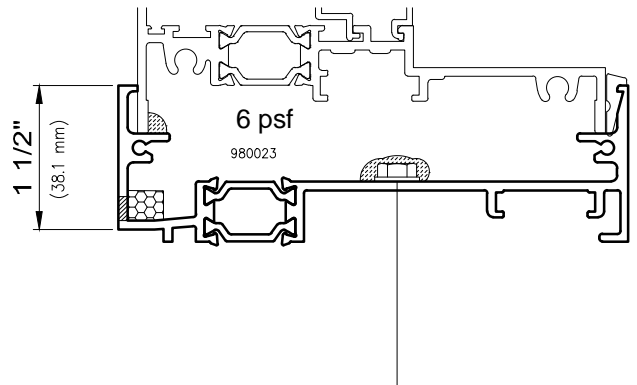


4250i-XLT 15 psf Sill Starter

Head, jamb and sill starters are available in a number of face widths and water head heights. Please refer to "Series Accessories" and Wausau guide specifications for more information.



4250i-XLT 10 psf Sill Starter



4250i-XLT 6 psf Sill Starter

Value in psf Indicates Approximate Water Head (Without Pressure Equalization)



WAUSAU

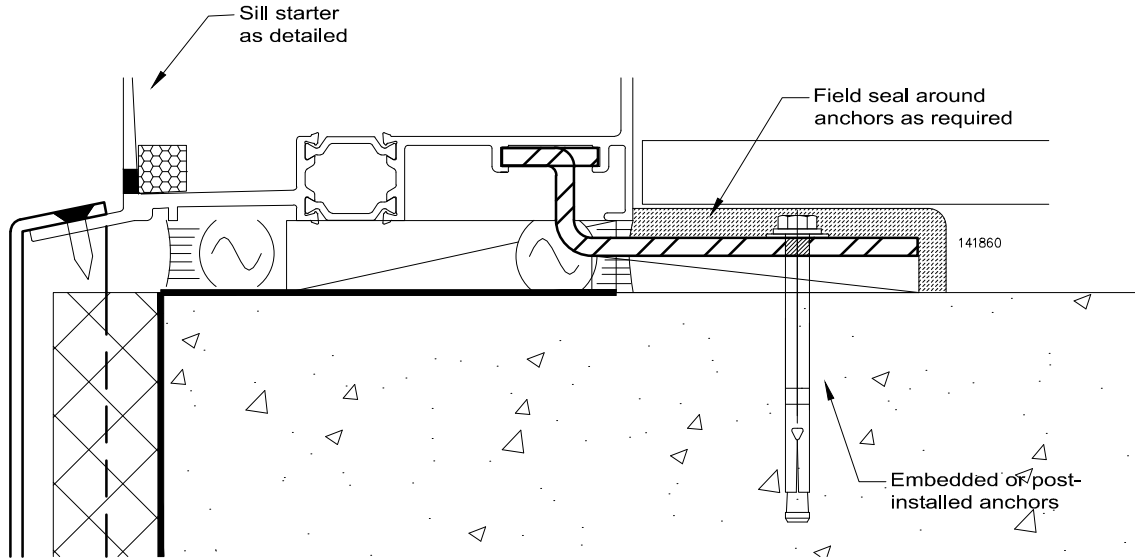
WINDOW AND WALL
SYSTEMS

Accessories
Anchors and Caulk Backers

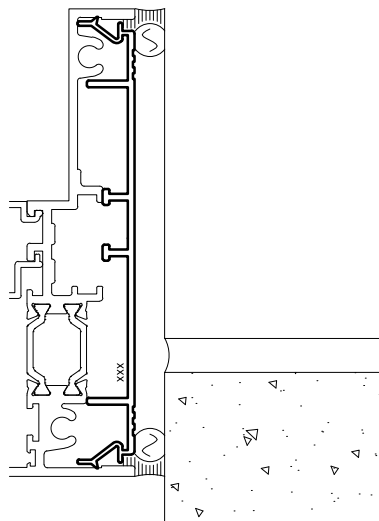
Architectural Windows

Window Wall - 4250i-XLT INvent Retro™ Series

Non-stocked items shown - Minimum order quantity may apply



4250i-XLT Heavy Duty Slide-In Anchor
3/16" (nom.) Formed Steel



PVC Caulk Backers